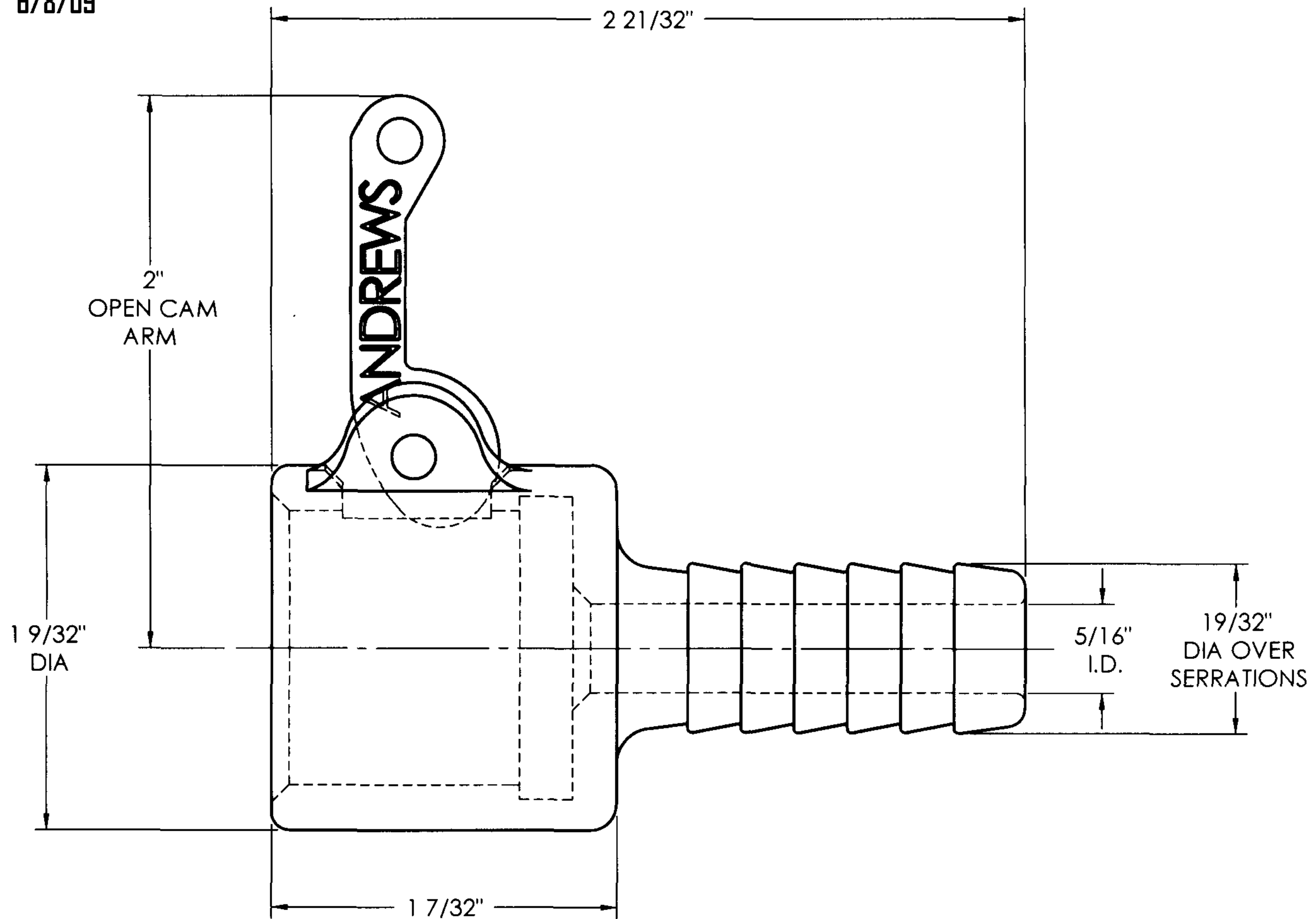


2730

6/8/09

CUSTOMER DWG



**50-C-AL**

CUSTOMER DWG

DIXON VALVE & COUPLING CO.  
U. S. A.

TITLE

1/2" COUPLER x HOSE SHANK

DRWN BY:

TDJ  
05/08/09

CHECKED BY:

APPROVAL:

A.E.  
5-11-09

MAT'L:

ALUMINUM

2730

AGREEMENT TO MAINTAIN CONFIDENTIALITY

This drawing is owned by Dixon Valve & Coupling Co. and shall be returned upon demand. It is loaned on condition that it shall not be copied or reproduced or submitted to others without the owners consent. In accepting it subject to this condition the recipient further agrees that this drawing or any design detail or concept disclosed herein shall not be used in any way detrimental to or in competition with the owner. If the recipient does not agree to the terms of this agreement they shall return this drawing immediately.

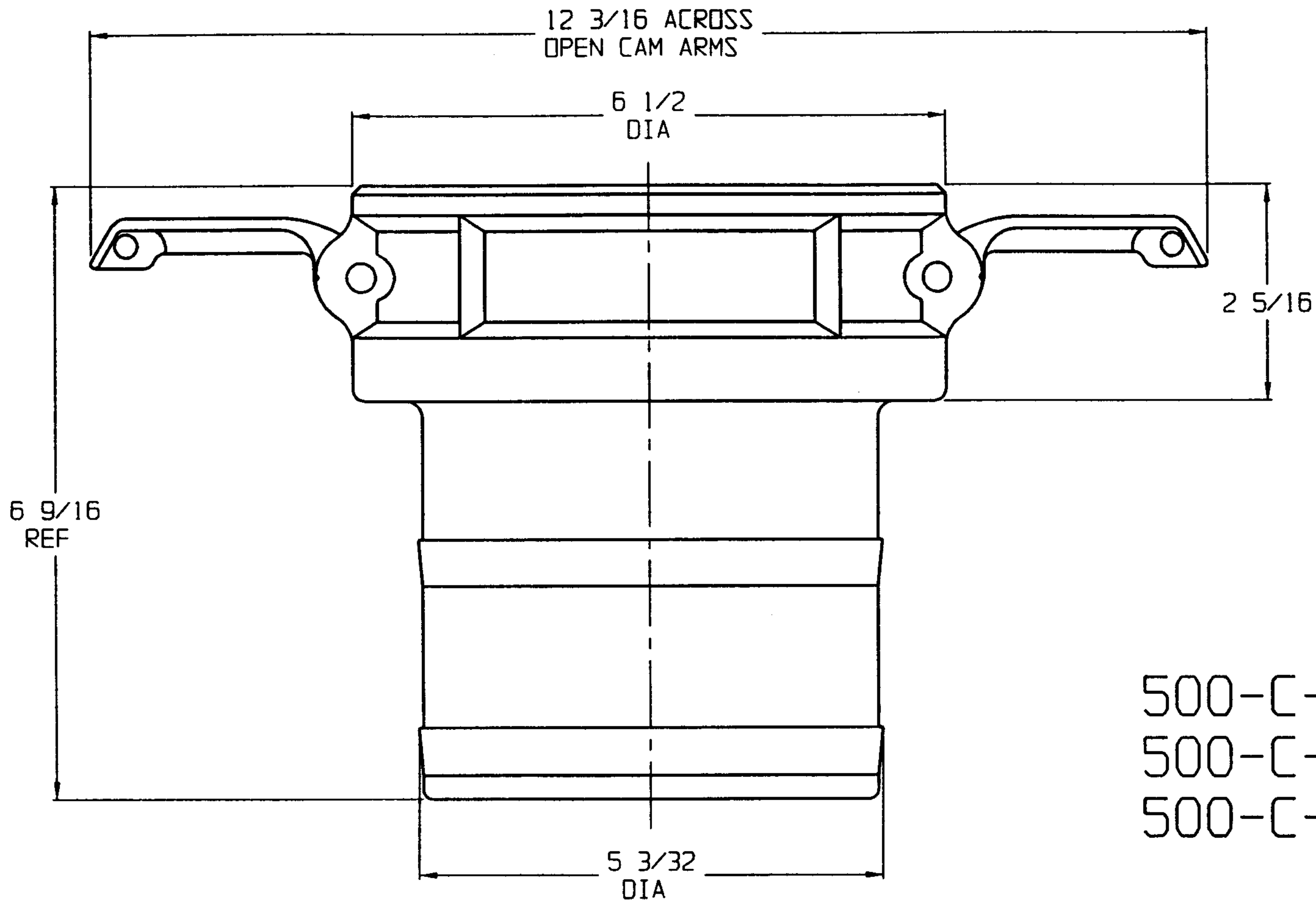


The Right Connection™

3565

6/10/09

CUSTOMER DWG



500-C-AL  
 500-C-BR  
 500-C-MI

CUSTOMER DWG

AGREEMENT TO MAINTAIN CONFIDENTIALITY

This drawing is owned by Dixon Valve & Coupling Co. and shall be returned upon demand. It is loaned on condition that it shall not be copied or reproduced or submitted to others without the owners consent. In accepting it subject to this condition the recipient further agrees that this drawing or any design detail or concept disclosed herein shall not be used in any way detrimental to or in competition with the Owner. If the recipient does not agree to the terms of this agreement, they shall return this drawing immediately.



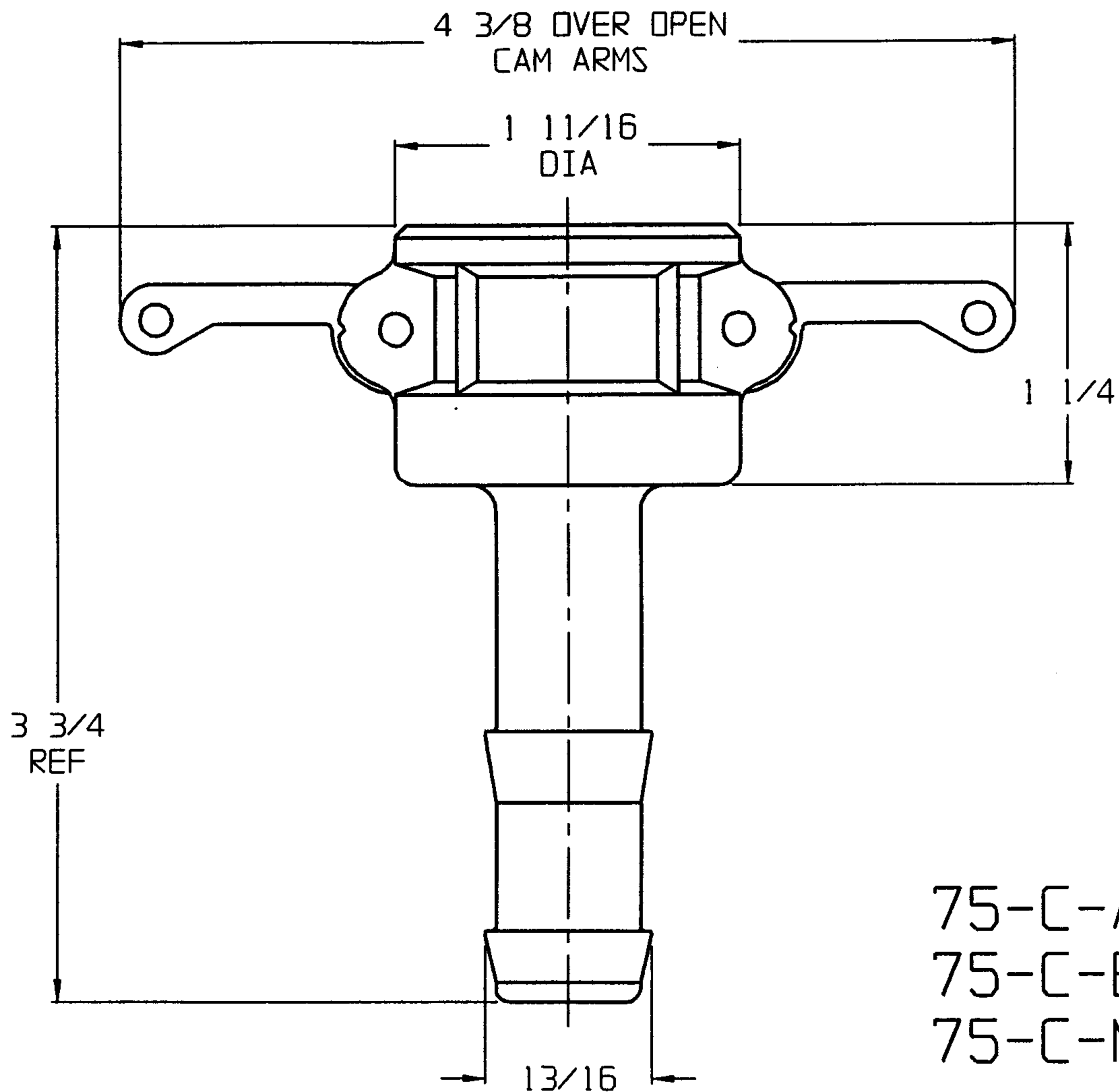
DIXON VALVE & COUPLING CO.  
 U. S. A.

TITLE		
5" COUPLER x HOSE SHANK		
DRAWN BY:	CHECKED BY:	APPROVAL:
KRISTY 07/19/01	MDS 7-23-01	JJB 7/23/01
MAT'L ALUMINUM, BRASS, & MALLEABLE IRON		3565

3874

6/8/09

CUSTOMER DWG



75-C-AL  
 75-C-BR  
 75-C-MI

CUSTOMER DWG

AGREEMENT TO MAINTAIN CONFIDENTIALITY

This drawing is owned by Dixon Valve & Coupling Co. and shall be returned upon demand. It is loaned on condition that it shall not be copied or reproduced or submitted to others without the owners consent. In accepting it subject to this condition the recipient further agrees that this drawing or any design detail or concept disclosed herein shall not be used in any way detrimental to or in competition with the Owner. If the recipient does not agree to the terms of this agreement, they shall return this drawing immediately.



The Right Connection™

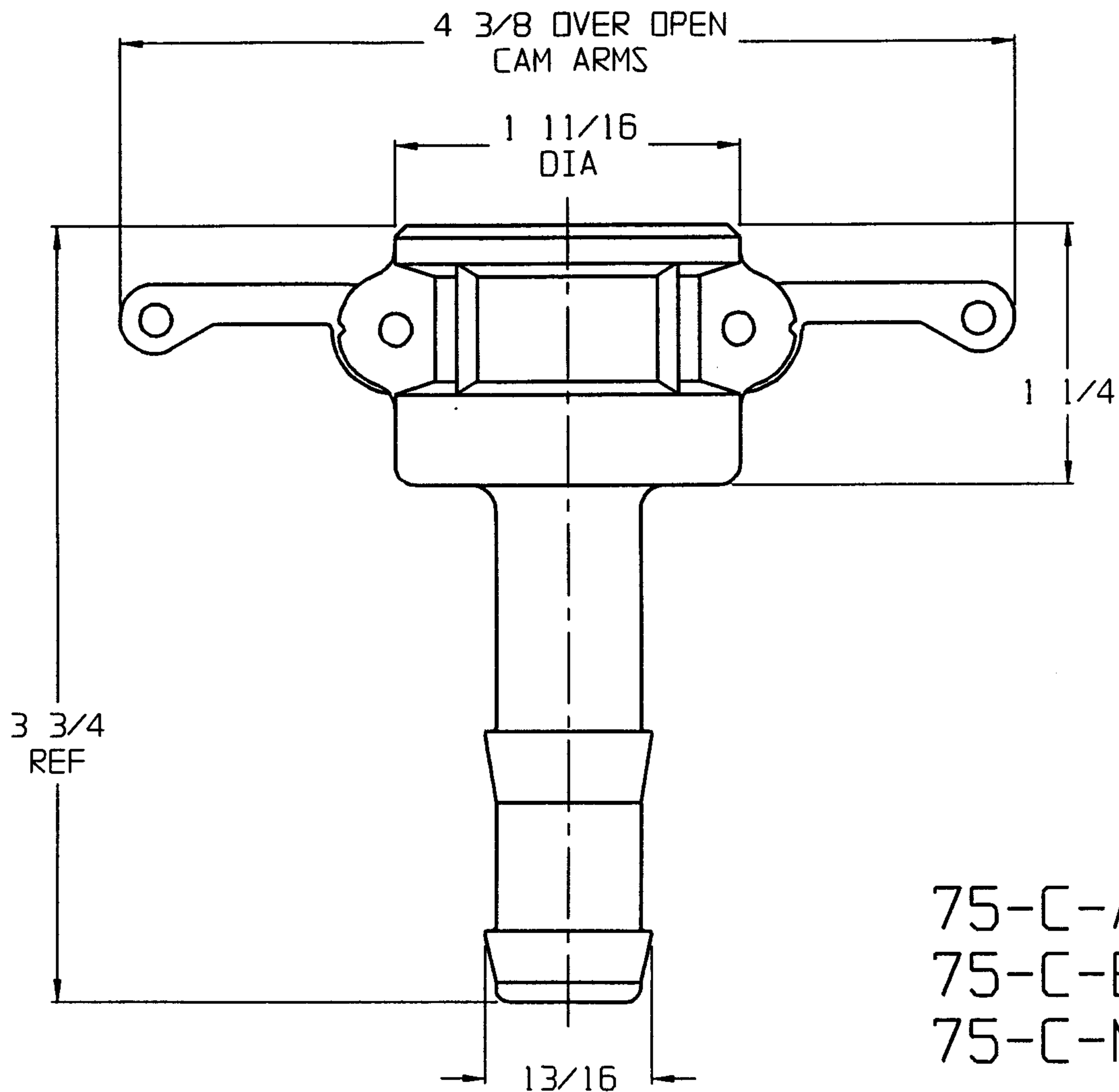
DIXON VALVE & COUPLING CO.  
 U. S. A.

TITLE		
3/4" COUPLER x HOSE SHANK		
DRAWN BY:	CHECKED BY:	APPROVAL:
KRISTY 07/16/01	MDS 7-16-01	JOB 7/17/01
MAT'L ALUMINUM, BRASS, & MALLEABLE IRON		3874

3874

6/8/09

CUSTOMER DWG



75-C-AL  
 75-C-BR  
 75-C-MI

CUSTOMER DWG

AGREEMENT TO MAINTAIN CONFIDENTIALITY

This drawing is owned by Dixon Valve & Coupling Co. and shall be returned upon demand. It is loaned on condition that it shall not be copied or reproduced or submitted to others without the owners consent. In accepting it subject to this condition the recipient further agrees that this drawing or any design detail or concept disclosed herein shall not be used in any way detrimental to or in competition with the Owner. If the recipient does not agree to the terms of this agreement, they shall return this drawing immediately.



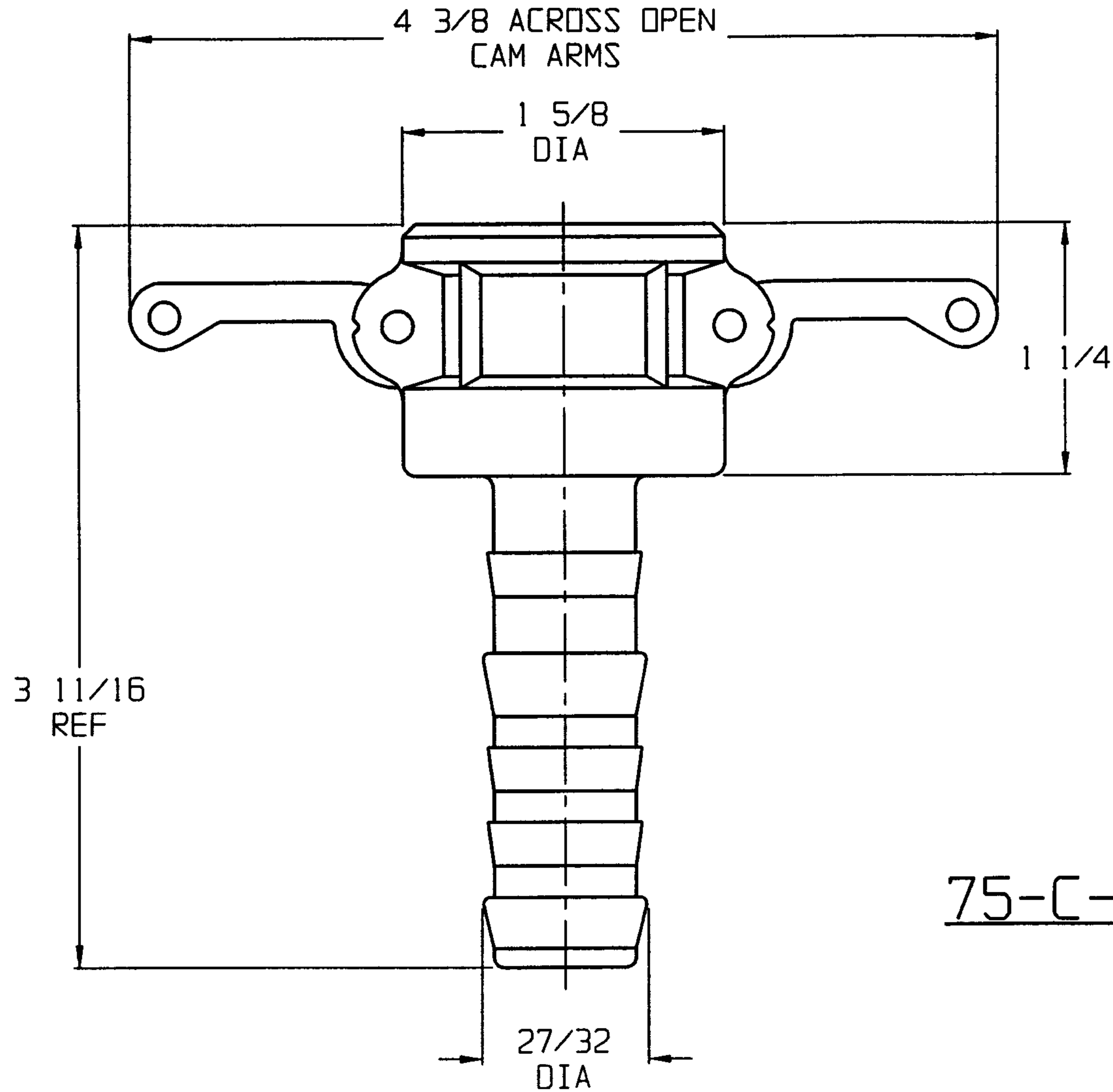
DIXON VALVE & COUPLING CO.  
 U. S. A.

TITLE		
3/4" COUPLER x HOSE SHANK		
DRAWN BY:	CHECKED BY:	APPROVAL:
KRISTY 07/16/01	MDS 7-16-01	JTB 7/17/01
MAT'L ALUMINUM, BRASS, & MALLEABLE IRON		3874

3537

6/8/09

CUSTOMER DWG



75-C-SS

CUSTOMER DWG

AGREEMENT TO MAINTAIN CONFIDENTIALITY

This drawing is owned by Dixon Valve & Coupling Co. and shall be returned upon demand. It is loaned on condition that it shall not be copied or reproduced or submitted to others without the owners consent. In accepting it subject to this condition the recipient further agrees that this drawing or any design detail or concept disclosed herein shall not be used in any way detrimental to or in competition with the Owner. If the recipient does not agree to the terms of this agreement, they shall return this drawing immediately.



The Right Connection™

DIXON VALVE & COUPLING CO.  
U. S. A.

TITLE  
3/4" COUPLER x HOSE SHANK

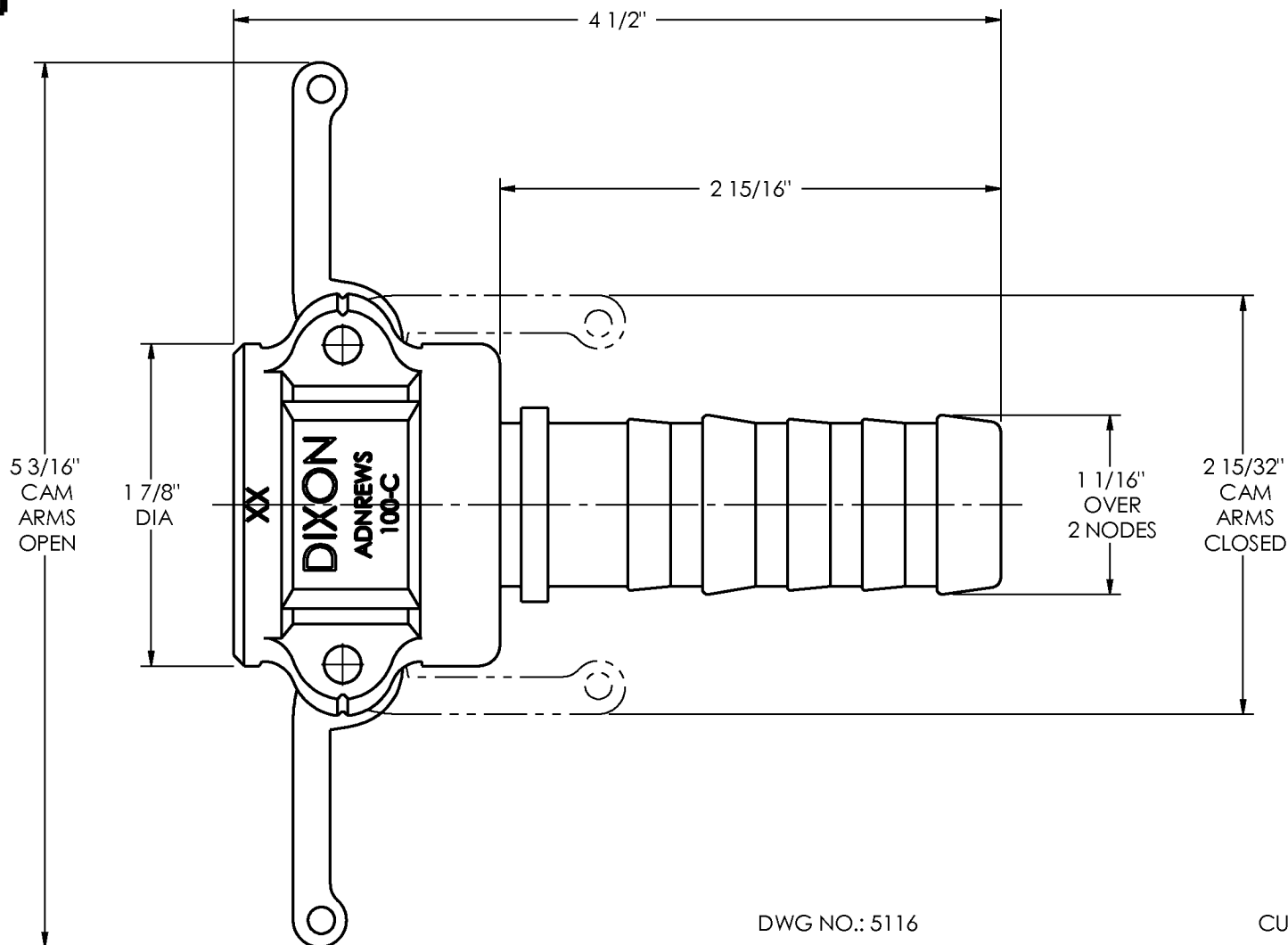
DRAWN BY: KRISTY 07/16/01	CHECKED BY: MDS 7-17-01	APPROVAL: JMB 7/17/01
---------------------------------	-------------------------------	-----------------------------

MAT'L  
STAINLESS STEEL

3537

# 100-C-AL

CUSTOMER DWG



DWG NO.: 5116

CUSTOMER DWG



### AGREEMENT TO MAINTAIN CONFIDENTIALITY

This drawing is owned by Dixon Valve & Coupling Co. and shall be returned upon demand. It is loaned on condition that it shall not be copied or reproduced or submitted to others without the owners consent. In accepting it subject to this condition the recipient further agrees that this drawing or any design detail or concept disclosed herein shall not be used in any way detrimental to or in competition with the owner. If the recipient does not agree to the terms of this agreement they shall return this drawing immediately. The information contained in this drawing is subject to change without notice.

REV: A

## DIXON VALVE & COUPLING CO. U. S. A.

TITLE

1" COUPLER X MACHINE HOSE SHANK

DRWN BY:

FJM  
9/21/10

CHECKED BY:

FJM  
9/21/10

APPROVAL:

9/27/10

*JFB*

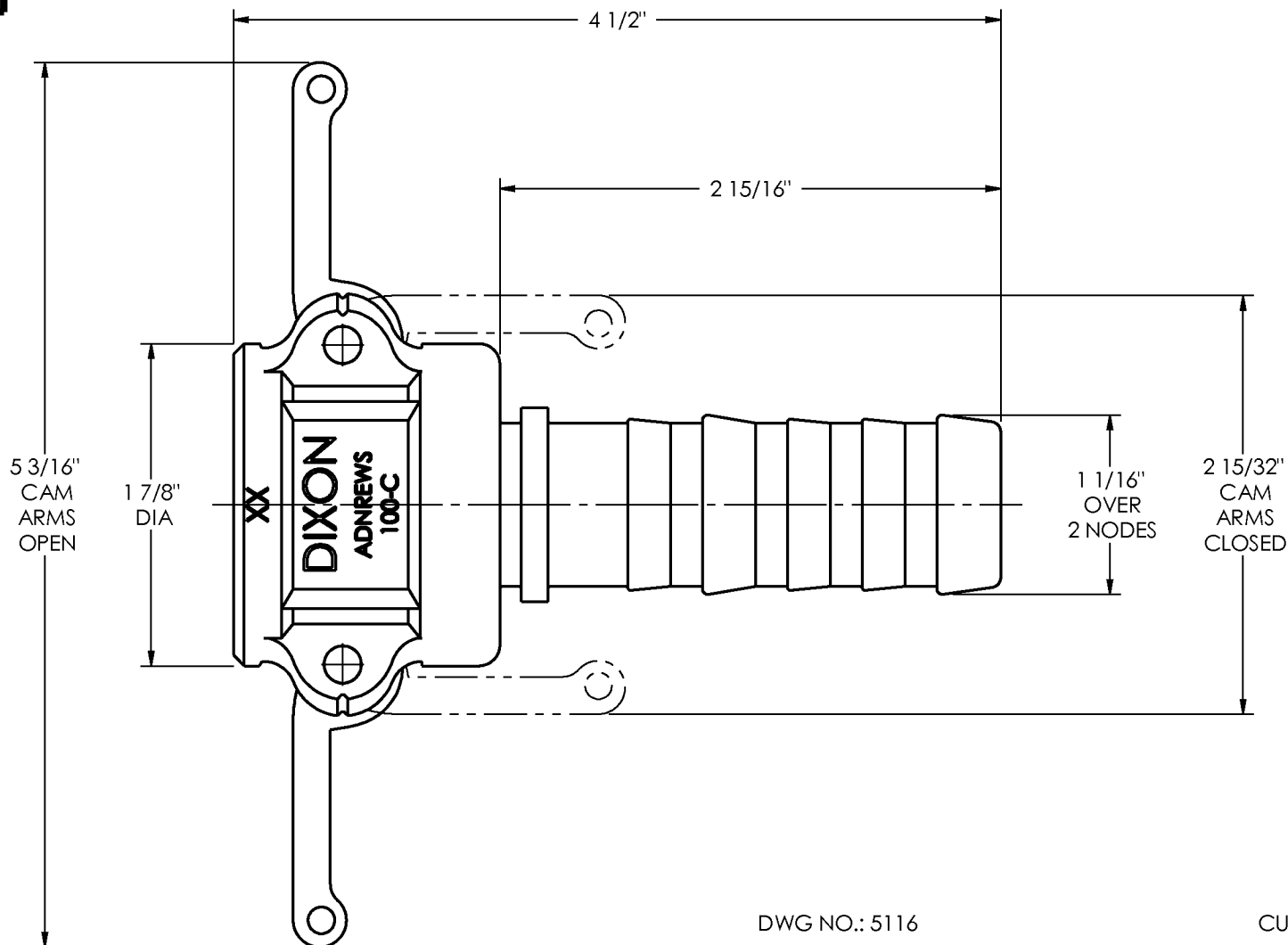
MAT'L:

ALUMNIUM

# 100-C-AL

# 100-C-BR

CUSTOMER DWG



DWG NO.: 5116

CUSTOMER DWG



### AGREEMENT TO MAINTAIN CONFIDENTIALITY

This drawing is owned by Dixon Valve & Coupling Co. and shall be returned upon demand. It is loaned on condition that it shall not be copied or reproduced or submitted to others without the owners consent. In accepting it subject to this condition the recipient further agrees that this drawing or any design detail or concept disclosed herein shall not be used in any way detrimental to or in competition with the owner. If the recipient does not agree to the terms of this agreement they shall return this drawing immediately. The information contained in this drawing is subject to change without notice.

REV: A

## DIXON VALVE & COUPLING CO. U. S. A.

TITLE

1" COUPLER X MACHINE HOSE SHANK

DRWN BY:

FJM  
9/21/10

CHECKED BY:

FJM  
9/21/10

APPROVAL:

9/27/10

*JJB*

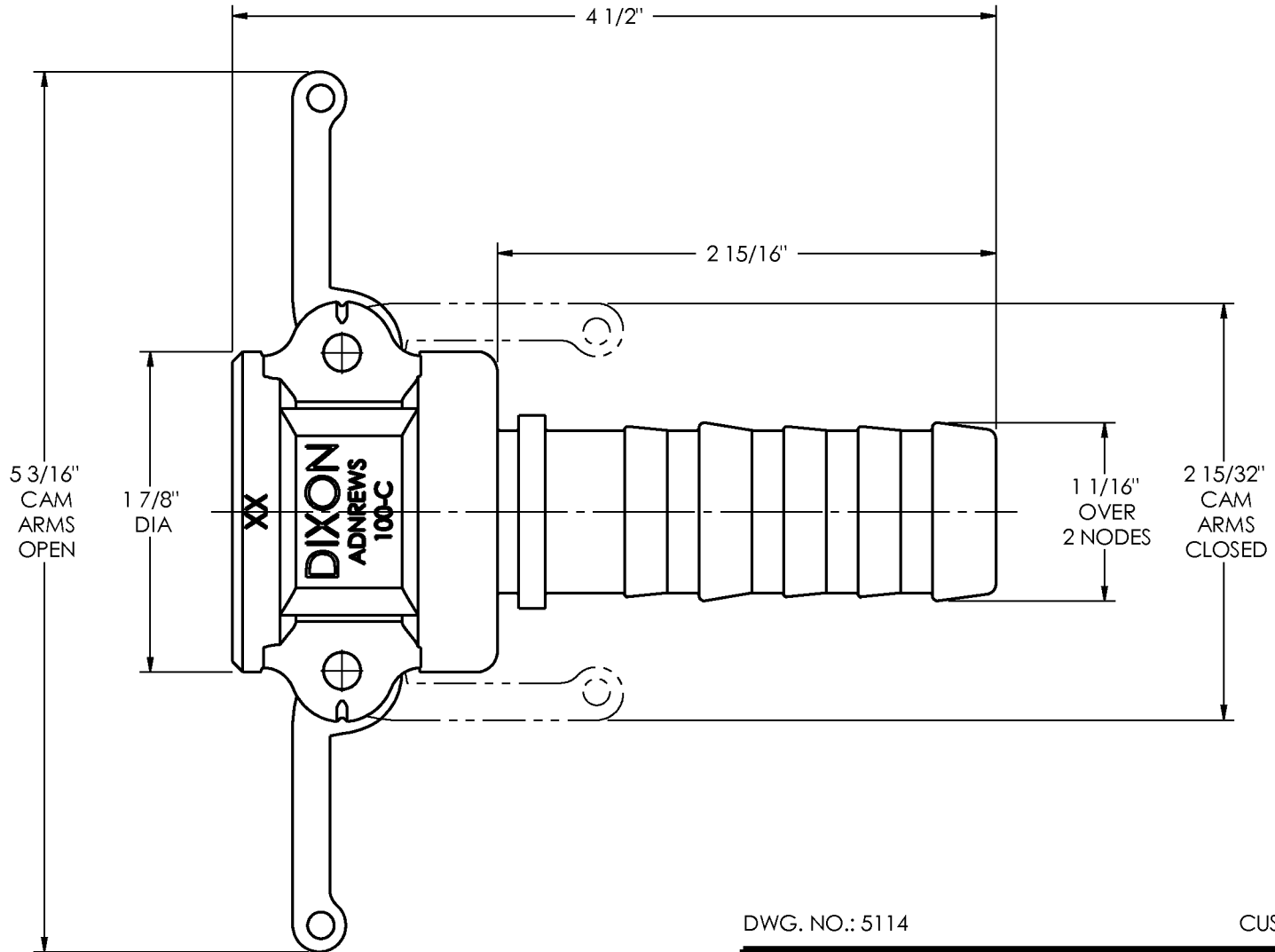
MAT'L:

BRASS

# 100-C-BR

# 100-C-SS

CUSTOMER DWG



DWG. NO.: 5114

CUSTOMER DWG



### AGREEMENT TO MAINTAIN CONFIDENTIALITY

This drawing is owned by Dixon Valve & Coupling Co. and shall be returned upon demand. It is loaned on condition that it shall not be copied or reproduced or submitted to others without the owners consent. In accepting it subject to this condition the recipient further agrees that this drawing or any design detail or concept disclosed herein shall not be used in any way detrimental to or in competition with the owner. If the recipient does not agree to the terms of this agreement they shall return this drawing immediately. The information contained in this drawing is subject to change without notice.

REV: A

## DIXON VALVE & COUPLING CO. U. S. A.

TITLE

1" COUPLER X MACHINE HOSE SHANK

DRWN BY:  
FJM  
9/21/10

CHECKED BY: *FJM*  
11/22/10

APPROVAL: *JJB*  
12/1/10

MAT'L:

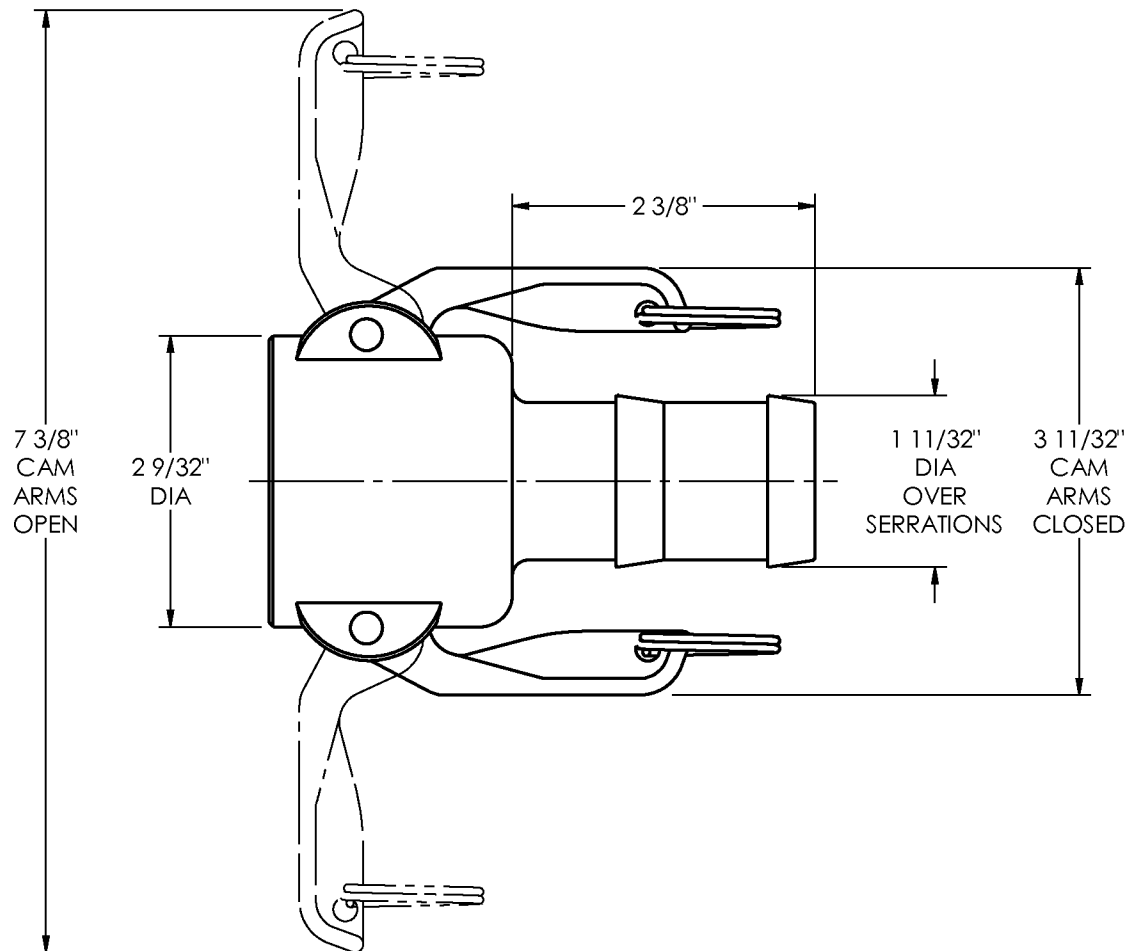
STAINLESS STEEL

# 100-C-SS



# 125-C-AL

CUSTOMER DWG



CUSTOMER DWG



### AGREEMENT TO MAINTAIN CONFIDENTIALITY

This drawing is owned by Dixon Valve & Coupling Co. and shall be returned upon demand. It is loaned on condition that it shall not be copied or reproduced or submitted to others without the owners consent. In accepting it subject to this condition the recipient further agrees that this drawing or any design detail or concept disclosed herein shall not be used in any way detrimental to or in competition with the owner. If the recipient does not agree to the terms of this agreement they shall return this drawing immediately. The information contained in this drawing is subject to change without notice.

REV: BO

## DIXON VALVE & COUPLING CO. U. S. A.

TITLE

DIXON TYPE C COUPLER  
1 1/4" COUPLER X HOSE SHANK

DRWN BY:

JAT  
7/15/11

CHECKED BY:

FJM  
7/15/11

APPROVAL:

FJM  
7/15/11

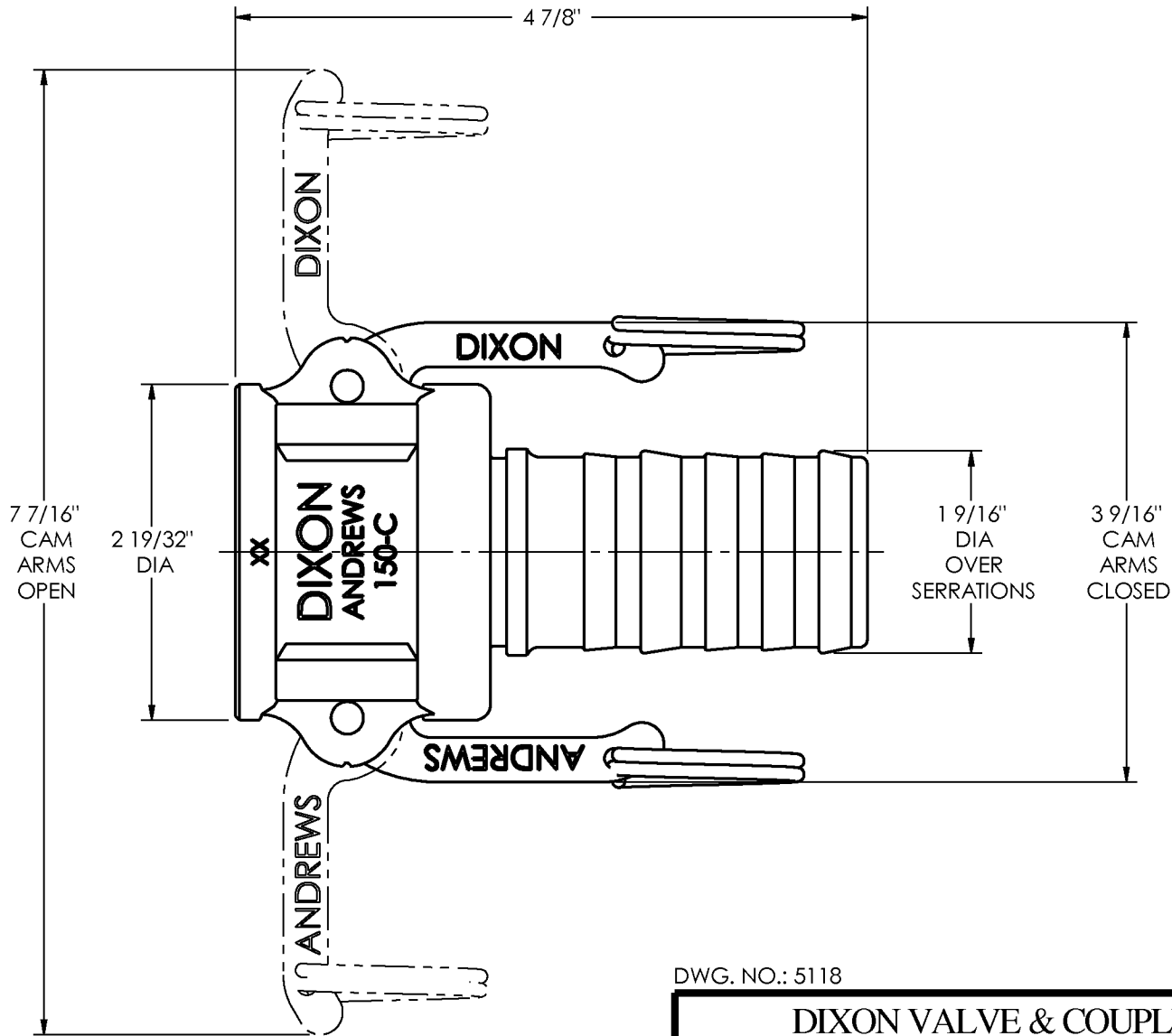
MAT'L:

ALUMINUM

# 125-C-AL

# 150-C-AL

CUSTOMER DWG



DWG. NO.: 5118

CUSTOMER DWG

**DIXON VALVE & COUPLING CO.**  
U. S. A.

TITLE

1 1/2" COUPLER X MACHINE HOSE SHANK

DRWN BY:

FJM  
9/28/10

CHECKED BY:

FJM  
10/4/10

APPROVAL:

10/5/10

MAT'L:

ALUMINUM

**150-C-AL**

## AGREEMENT TO MAINTAIN CONFIDENTIALITY

This drawing is owned by Dixon Valve & Coupling Co. and shall be returned upon demand. It is loaned on condition that it shall not be copied or reproduced or submitted to others without the owners consent. In accepting it subject to this condition the recipient further agrees that this drawing or any design detail or concept disclosed herein shall not be used in any way detrimental to or in competition with the owner. If the recipient does not agree to the terms of this agreement they shall return this drawing immediately. The information contained in this drawing is subject to change without notice.

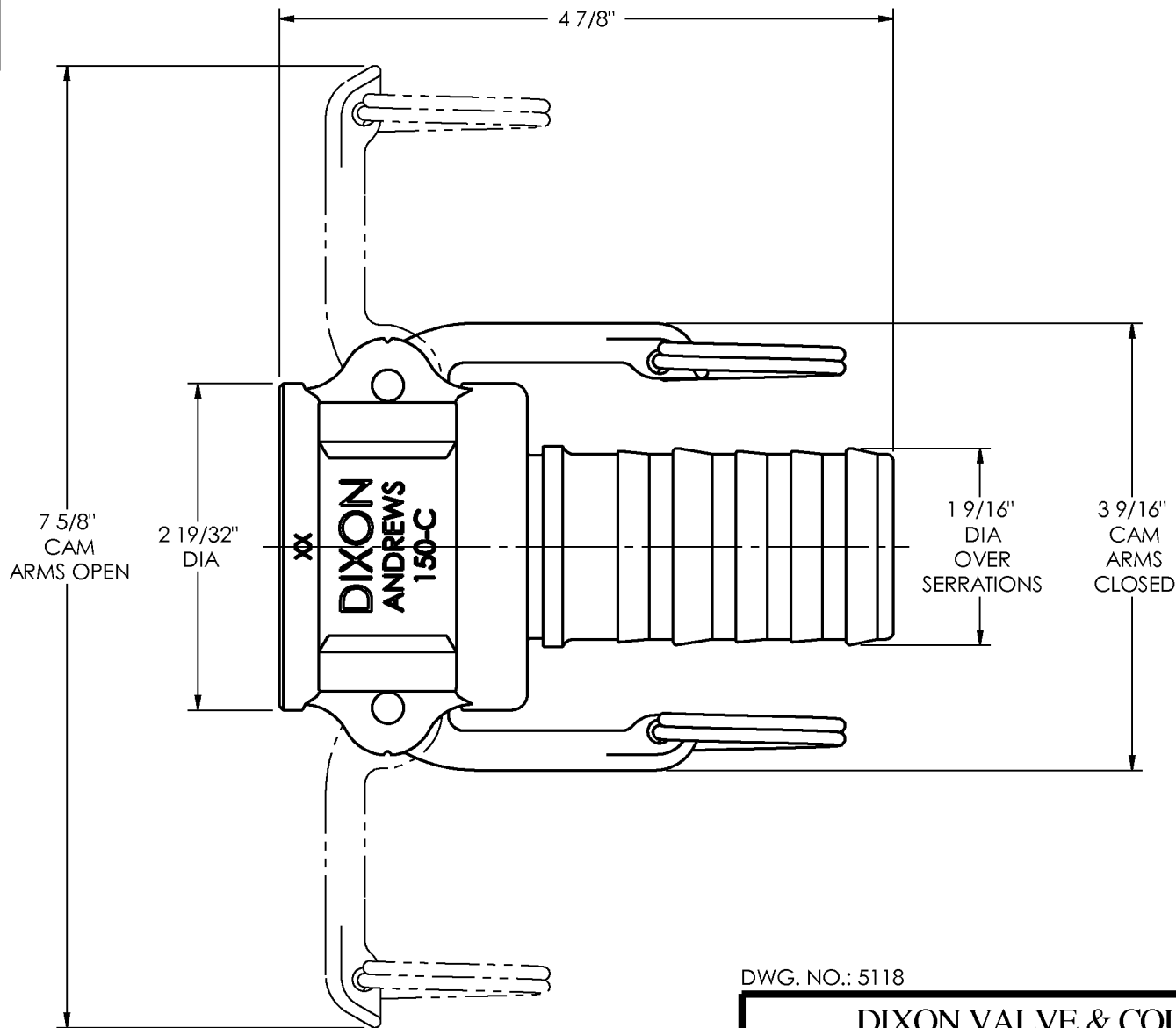
REV: A



The Right Connection™

# 150-C-BR

CUSTOMER DWG



### AGREEMENT TO MAINTAIN CONFIDENTIALITY

This drawing is owned by Dixon Valve & Coupling Co. and shall be returned upon demand. It is loaned on condition that it shall not be copied or reproduced or submitted to others without the owners consent. In accepting it subject to this condition the recipient further agrees that this drawing or any design detail or concept disclosed herein shall not be used in any way detrimental to or in competition with the owner. If the recipient does not agree to the terms of this agreement they shall return this drawing immediately. The information contained in this drawing is subject to change without notice.

REV: A

DWG. NO.: 5118

CUSTOMER DWG

DIXON VALVE & COUPLING CO.  
U. S. A.

TITLE

1 1/2" COUPLER X MACHINE HOSE SHANK

DRWN BY:

FJM  
9/28/10

CHECKED BY:

FJM  
10/4/10

APPROVAL:

JAB  
10/5/10

MAT'L:

BRASS

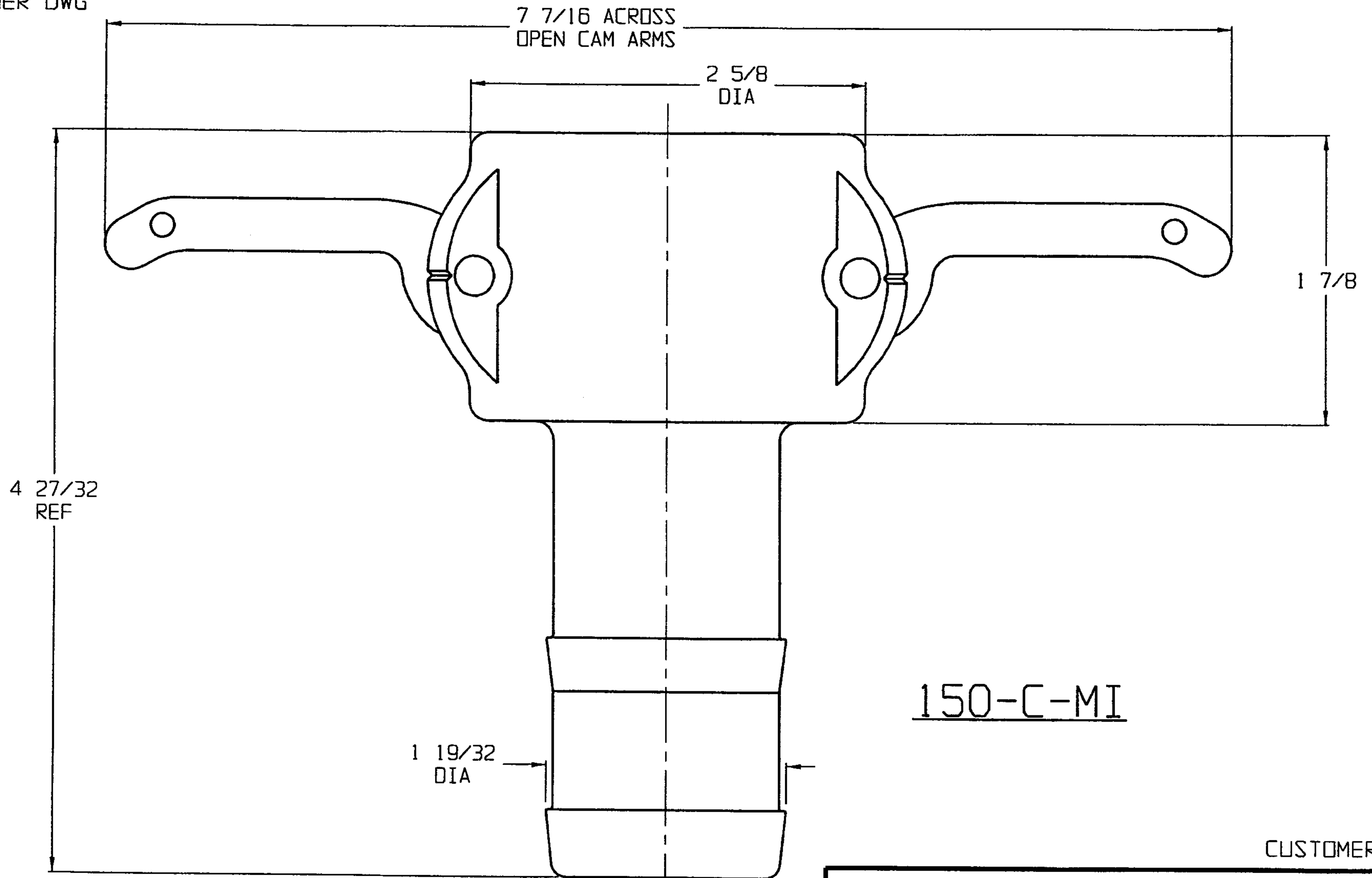
**150-C-BR**



3178

6/8/09

CUSTOMER DWG



CUSTOMER DWG

AGREEMENT TO MAINTAIN CONFIDENTIALITY

This drawing is owned by Dixon Valve & Coupling Co. and shall be returned upon demand. It is loaned on condition that it shall not be copied or reproduced or submitted to others without the owners consent. In accepting it subject to this condition the recipient further agrees that this drawing or any design detail or concept disclosed herein shall not be used in any way detrimental to or in competition with the Owner. If the recipient does not agree to the terms of this agreement, they shall return this drawing immediately.



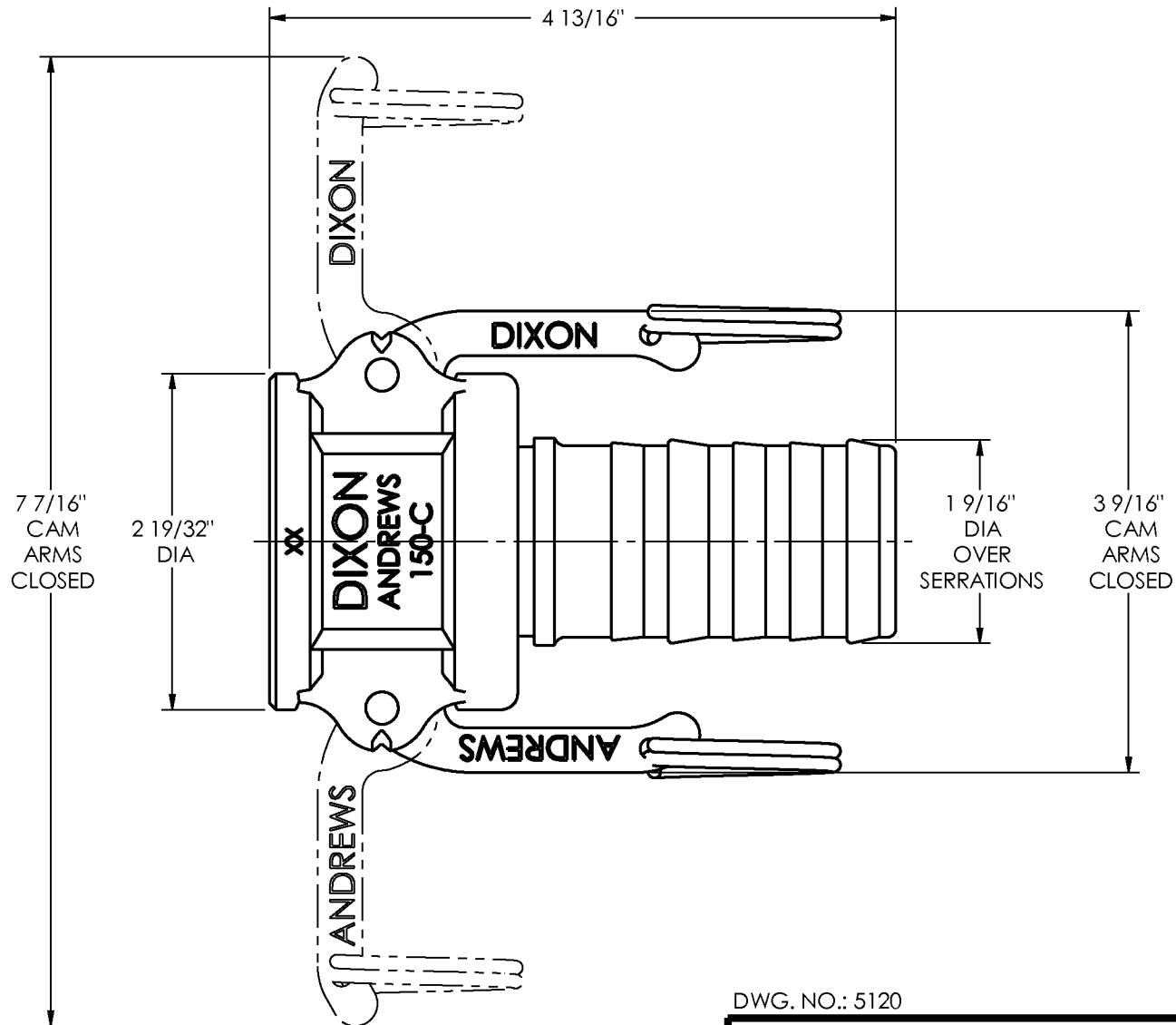
The Right Connection™

DIXON VALVE & COUPLING CO.  
U. S. A.

TITLE		
1 1/2" COUPLER x HOSE SHANK		
DRAWN BY: KRISTY 08/13/01	CHECKED BY: MDS 8-14-01	APPROVAL: JJB 8/15/01
MAT'L MALLEBALE IRON		3178

# 150-C-SS

CUSTOMER DWG



DWG. NO.: 5120

CUSTOMER DWG

**DIXON VALVE & COUPLING CO.**  
U. S. A.

TITLE

1 1/2" COUPLER X MACHINE HOSE SHANK

DRWN BY:

FJM  
9/28/10

CHECKED BY:

FJM  
10/4/10

APPROVAL:

JAB  
10/5/10

MAT'L:

STAINLESS STEEL

**150-C-SS**

## AGREEMENT TO MAINTAIN CONFIDENTIALITY

This drawing is owned by Dixon Valve & Coupling Co. and shall be returned upon demand. It is loaned on condition that it shall not be copied or reproduced or submitted to others without the owners consent. In accepting it subject to this condition the recipient further agrees that this drawing or any design detail or concept disclosed herein shall not be used in any way detrimental to or in competition with the owner. If the recipient does not agree to the terms of this agreement they shall return this drawing immediately. The information contained in this drawing is subject to change without notice.

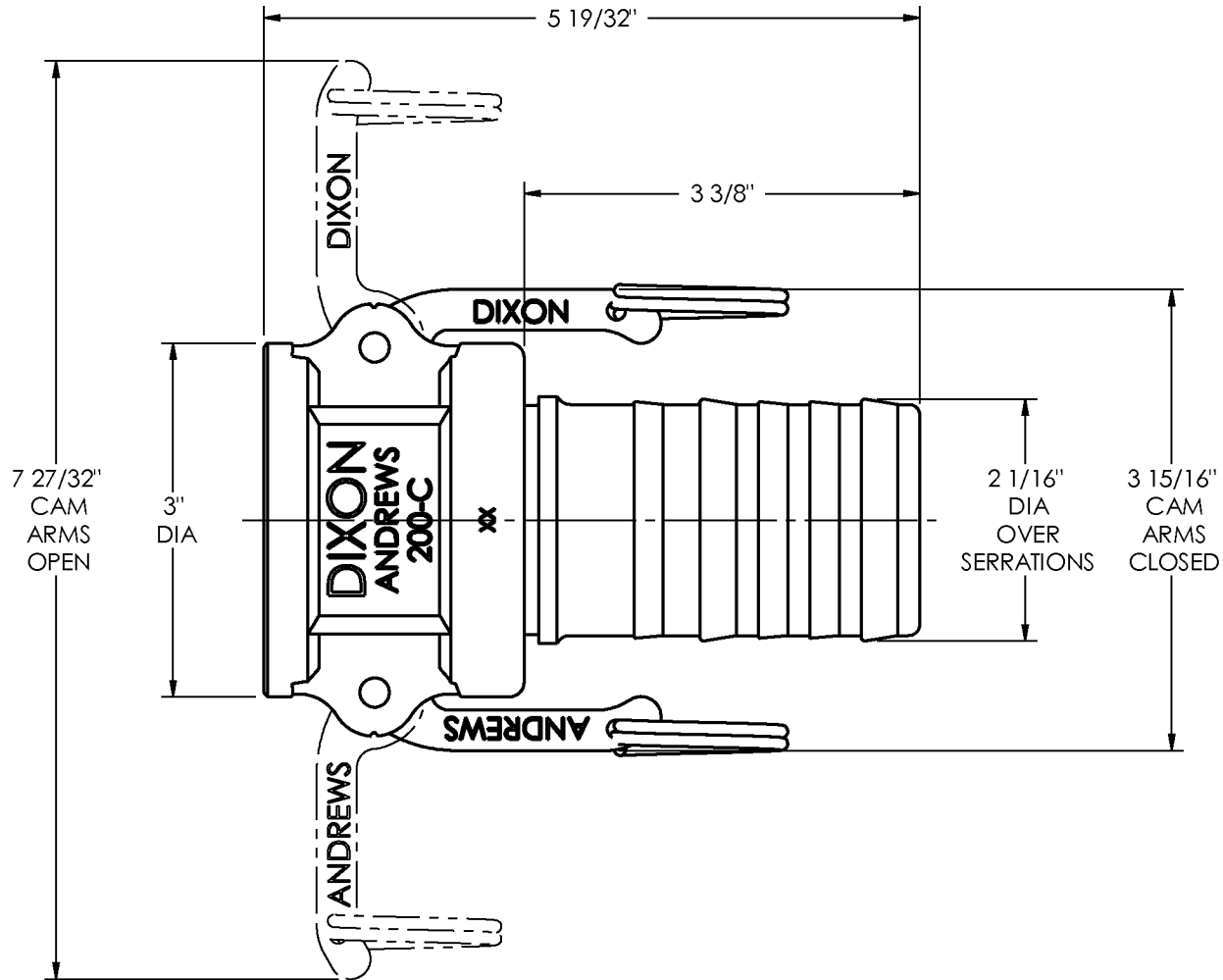
REV: A



The Right Connection™

# 200-C-AL

CUSTOMER DWG



DWG. NO.: 5100

CUSTOMER DWG

**DIXON VALVE & COUPLING CO.**  
**U. S. A.**

TITLE

2" COUPLER X MACHINE HOSE SHANK

DRWN BY:

FJM  
10/5/10

CHECKED BY:

FJM  
10/11/10

APPROVAL:

*JJB*  
10/13/10

MAT'L:

ALUMINUM

**200-C-AL**

### AGREEMENT TO MAINTAIN CONFIDENTIALITY

This drawing is owned by Dixon Valve & Coupling Co. and shall be returned upon demand. It is loaned on condition that it shall not be copied or reproduced or submitted to others without the owners consent. In accepting it subject to this condition the recipient further agrees that this drawing or any design detail or concept disclosed herein shall not be used in any way detrimental to or in competition with the owner. If the recipient does not agree to the terms of this agreement they shall return this drawing immediately. The information contained in this drawing is subject to change without notice.

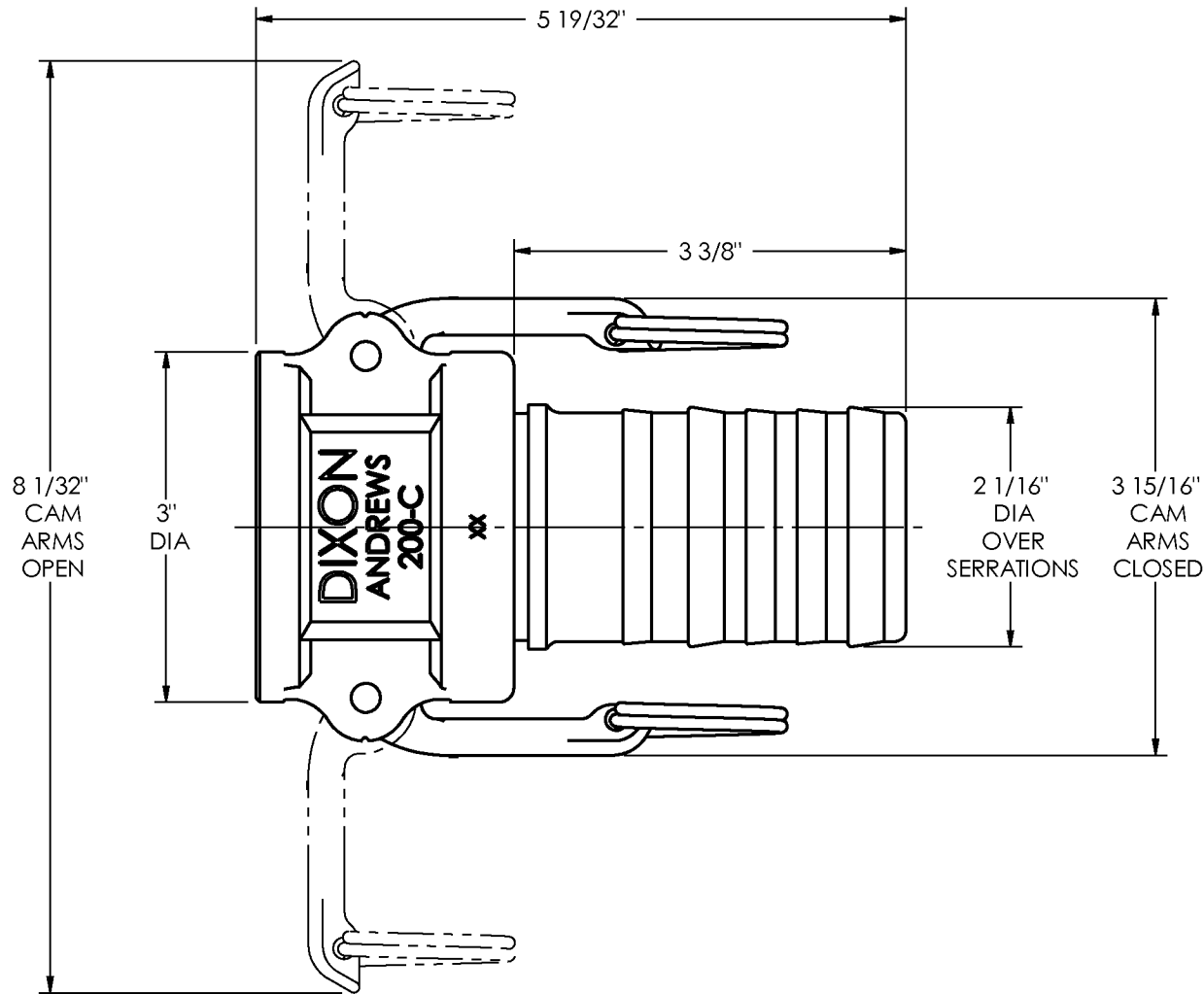
REV: A



The Right Connection™

# 200-C-BR

CUSTOMER DWG



DWG. NO.: 5100

CUSTOMER DWG

**DIXON VALVE & COUPLING CO.**  
U. S. A.

TITLE

2" COUPLER X MACHINE HOSE SHANK

DRWN BY:

FJM  
10/5/10

CHECKED BY:

FJM  
10/11/10

APPROVAL:

10/13/10

MAT'L:

BRASS

**200-C-BR**

## AGREEMENT TO MAINTAIN CONFIDENTIALITY

This drawing is owned by Dixon Valve & Coupling Co. and shall be returned upon demand. It is loaned on condition that it shall not be copied or reproduced or submitted to others without the owners consent. In accepting it subject to this condition the recipient further agrees that this drawing or any design detail or concept disclosed herein shall not be used in any way detrimental to or in competition with the owner. If the recipient does not agree to the terms of this agreement they shall return this drawing immediately. The information contained in this drawing is subject to change without notice.

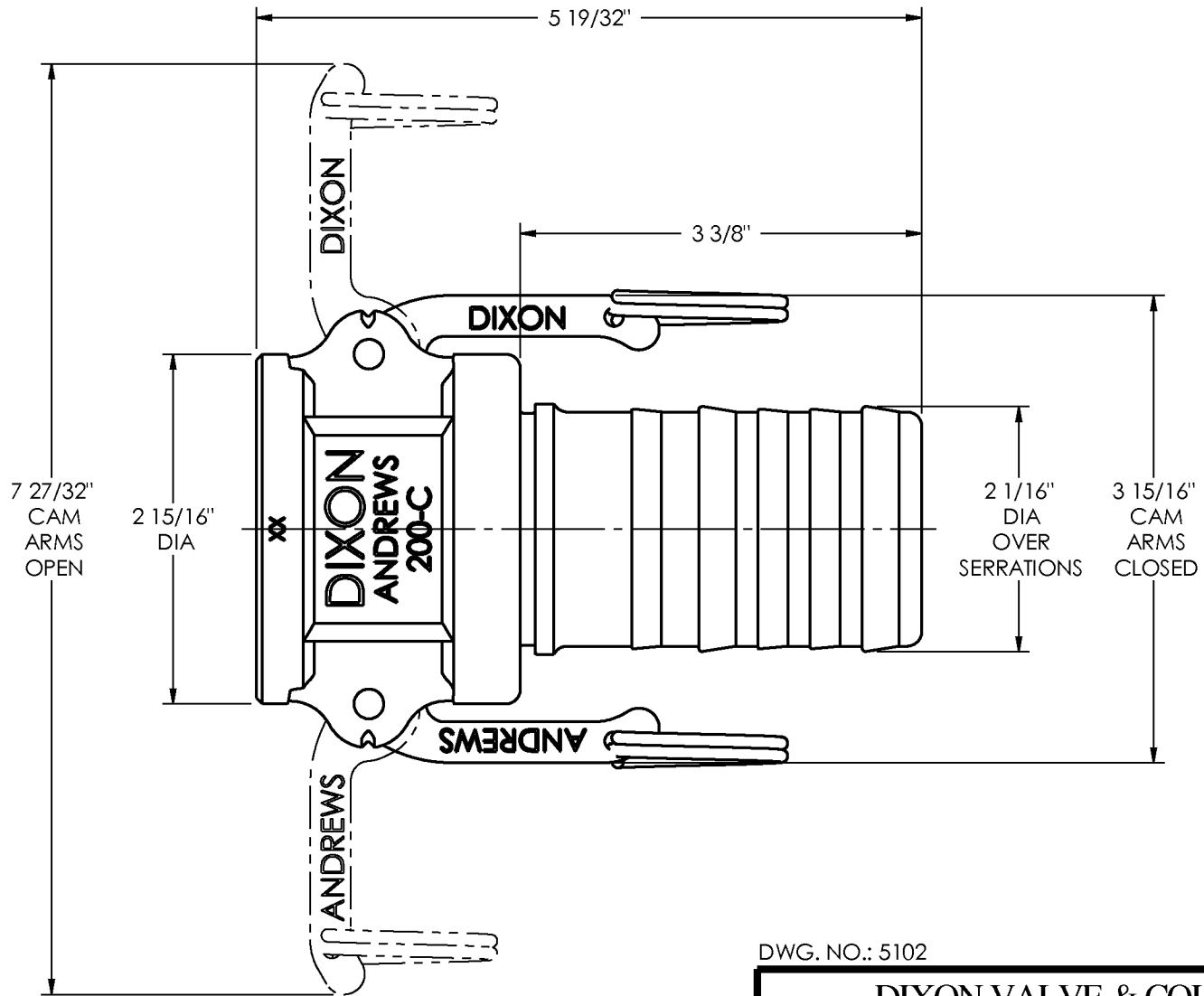
REV: A



The Right Connection™

# 200-C-SS

CUSTOMER DWG



DWG. NO.: 5102

CUSTOMER DWG

**DIXON VALVE & COUPLING CO.**  
**U. S. A.**

TITLE

2" COUPLER X MACHINE HOSE SHANK

DRWN BY:

FJM  
10/7/10

CHECKED BY:

FJM  
10/11/10

APPROVAL:

JJB  
10/13/10

MAT'L:

STAINLESS STEEL

**200-C-SS**

### AGREEMENT TO MAINTAIN CONFIDENTIALITY

This drawing is owned by Dixon Valve & Coupling Co. and shall be returned upon demand. It is loaned on condition that it shall not be copied or reproduced or submitted to others without the owners consent. In accepting it subject to this condition the recipient further agrees that this drawing or any design detail or concept disclosed herein shall not be used in any way detrimental to or in competition with the owner. If the recipient does not agree to the terms of this agreement they shall return this drawing immediately. The information contained in this drawing is subject to change without notice.

REV: A

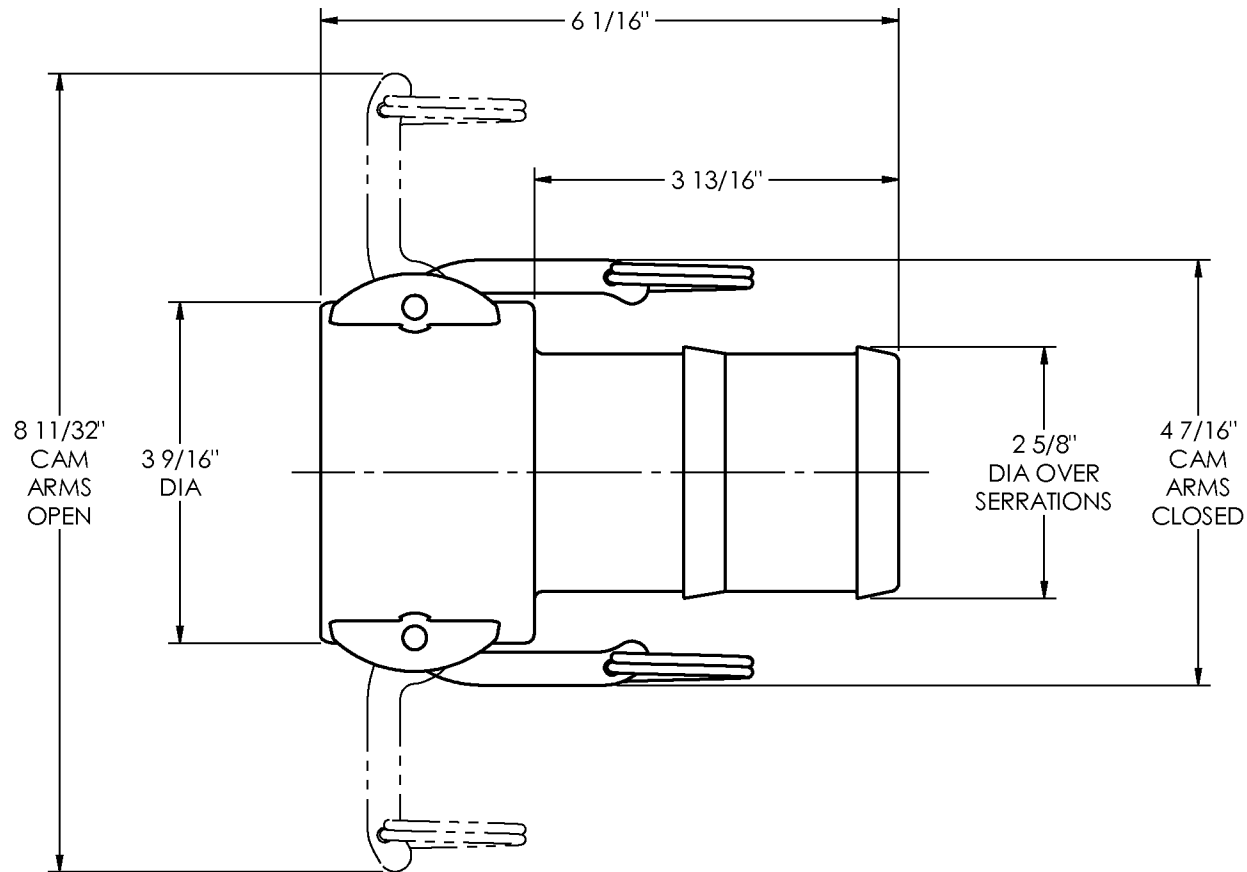


The Right Connection™



# 250-C-SS

CUSTOMER DWG



### AGREEMENT TO MAINTAIN CONFIDENTIALITY

This drawing is owned by Dixon Valve & Coupling Co. and shall be returned upon demand. It is loaned on condition that it shall not be copied or reproduced or submitted to others without the owners consent. In accepting it subject to this condition the recipient further agrees that this drawing or any design detail or concept disclosed herein shall not be used in any way detrimental to or in competition with the owner. If the recipient does not agree to the terms of this agreement they shall return this drawing immediately. The information contained in this drawing is subject to change without notice.

REV: E

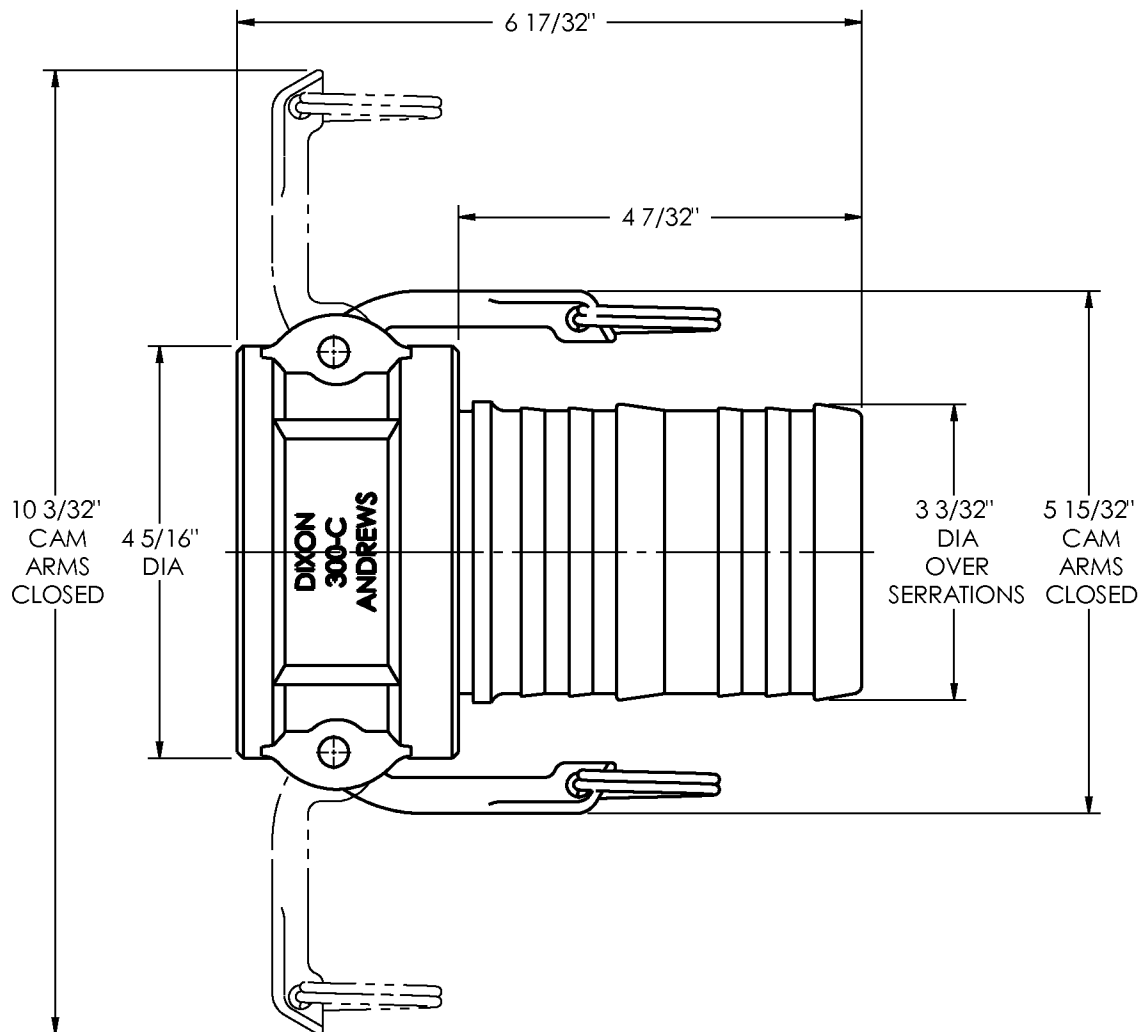
DWG NO.: 2518

CUSTOMER DWG

<b>DIXON VALVE &amp; COUPLING CO. U. S. A.</b>		
TITLE 2 1/2' DIXON TYPE C COUPLERS FEMALE COUPLER X HOSE SHANK		
DRWN BY: JAT 3/30/12	CHECKED BY: GMJ 04-02-12	APPROVAL: GMJ 04-02-12
MAT'L: STAINLESS STEEL		<b>250-C-SS</b>

# 300-C-AL

CUSTOMER DWG



DWG No: 5136

CUSTOMER DWG

**DIXON VALVE & COUPLING CO.**  
**U. S. A.**

TITLE

3" COUPLER X MACHINE HOSE SHANK

DRWN BY:  
 FJM  
 10/12/10

CHECKED BY:  
 FJM  
 11/22/10

APPROVAL:  
*JAB*  
 12/3/10

MAT'L:  
 ALUMINUM

**300-C-AL**

### AGREEMENT TO MAINTAIN CONFIDENTIALITY

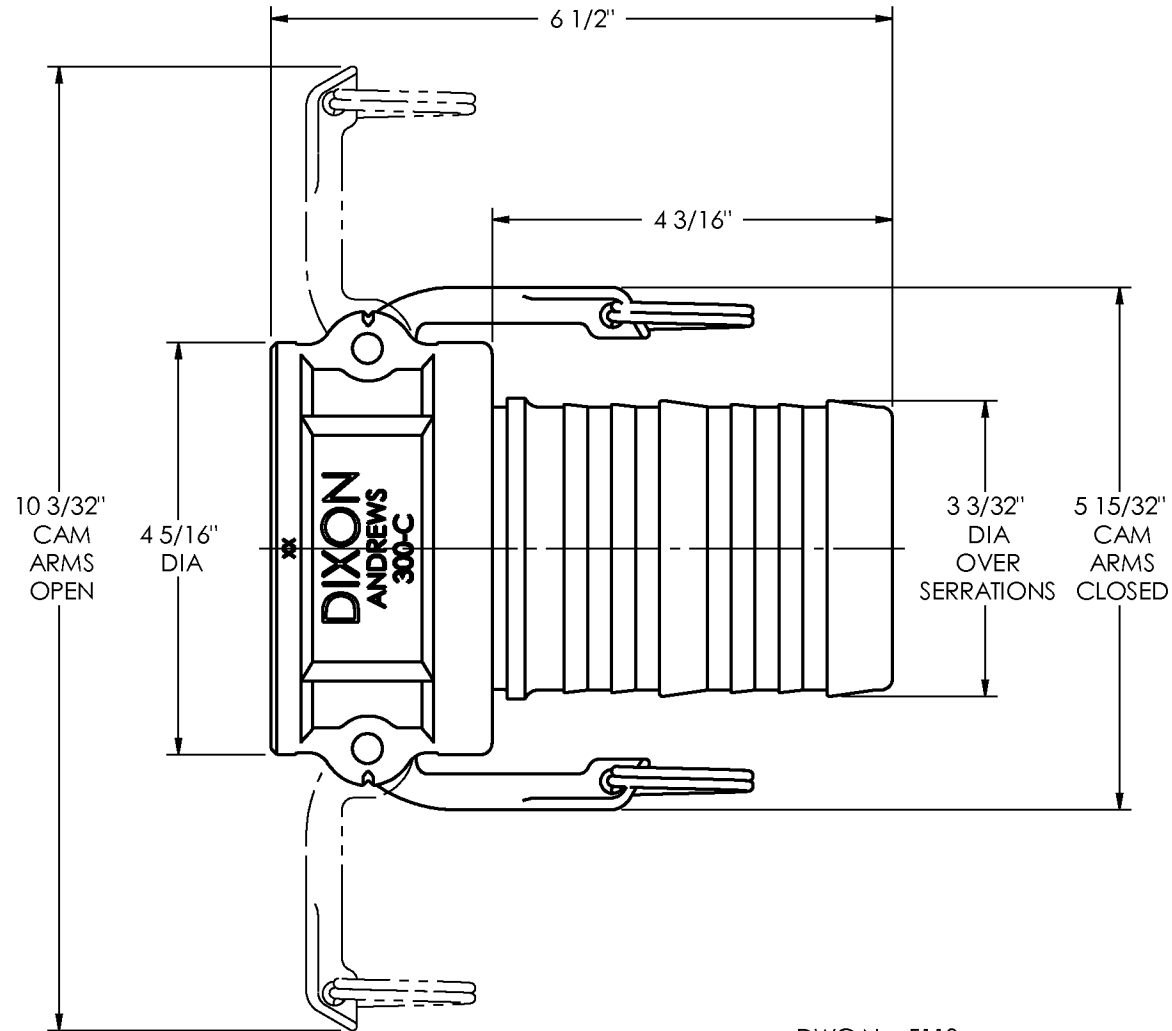
This drawing is owned by Dixon Valve & Coupling Co. and shall be returned upon demand. It is loaned on condition that it shall not be copied or reproduced or submitted to others without the owners consent. In accepting it subject to this condition the recipient further agrees that this drawing or any design detail or concept disclosed herein shall not be used in any way detrimental to or in competition with the owner. If the recipient does not agree to the terms of this agreement they shall return this drawing immediately. The information contained in this drawing is subject to change without notice.

REV: B



# 300-C-BR

CUSTOMER DWG



DWG No: 5110

CUSTOMER DWG



### AGREEMENT TO MAINTAIN CONFIDENTIALITY

This drawing is owned by Dixon Valve & Coupling Co. and shall be returned upon demand. It is loaned on condition that it shall not be copied or reproduced or submitted to others without the owners consent. In accepting it subject to this condition the recipient further agrees that this drawing or any design detail or concept disclosed herein shall not be used in any way detrimental to or in competition with the owner. If the recipient does not agree to the terms of this agreement they shall return this drawing immediately. The information contained in this drawing is subject to change without notice.

REV: C

**DIXON VALVE & COUPLING CO.**  
**U. S. A.**

TITLE

3" COUPLER X MACHINE HOSE SHANK

DRWN BY:

FJM  
10/12/10

CHECKED BY:

FJM  
11/22/10

APPROVAL:

12/1/10 *JAB*

MAT'L:

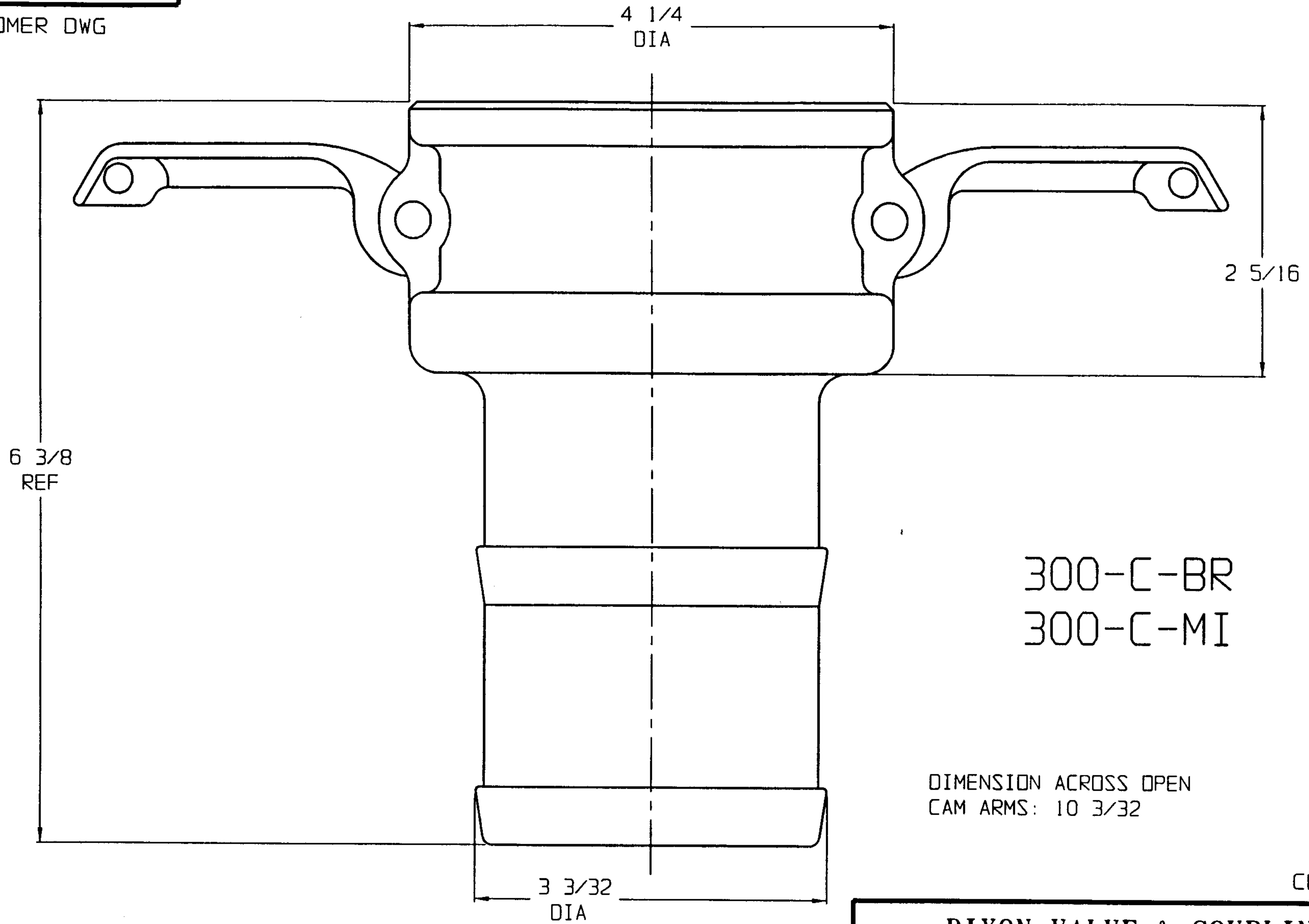
BRASS

**300-C-BR**

2592

6/9/09

CUSTOMER DWG



300-C-BR  
300-C-MI

DIMENSION ACROSS OPEN  
CAM ARMS: 10 3/32

CUSTOMER DWG

AGREEMENT TO MAINTAIN CONFIDENTIALITY

This drawing is owned by Dixon Valve & Coupling Co. and shall be returned upon demand. It is loaned on condition that it shall not be copied or reproduced or submitted to others without the owners consent. In accepting it subject to this condition the recipient further agrees that this drawing or any design detail or concept disclosed herein shall not be used in any way detrimental to or in competition with the Owner. If the recipient does not agree to the terms of this agreement, they shall return this drawing immediately.

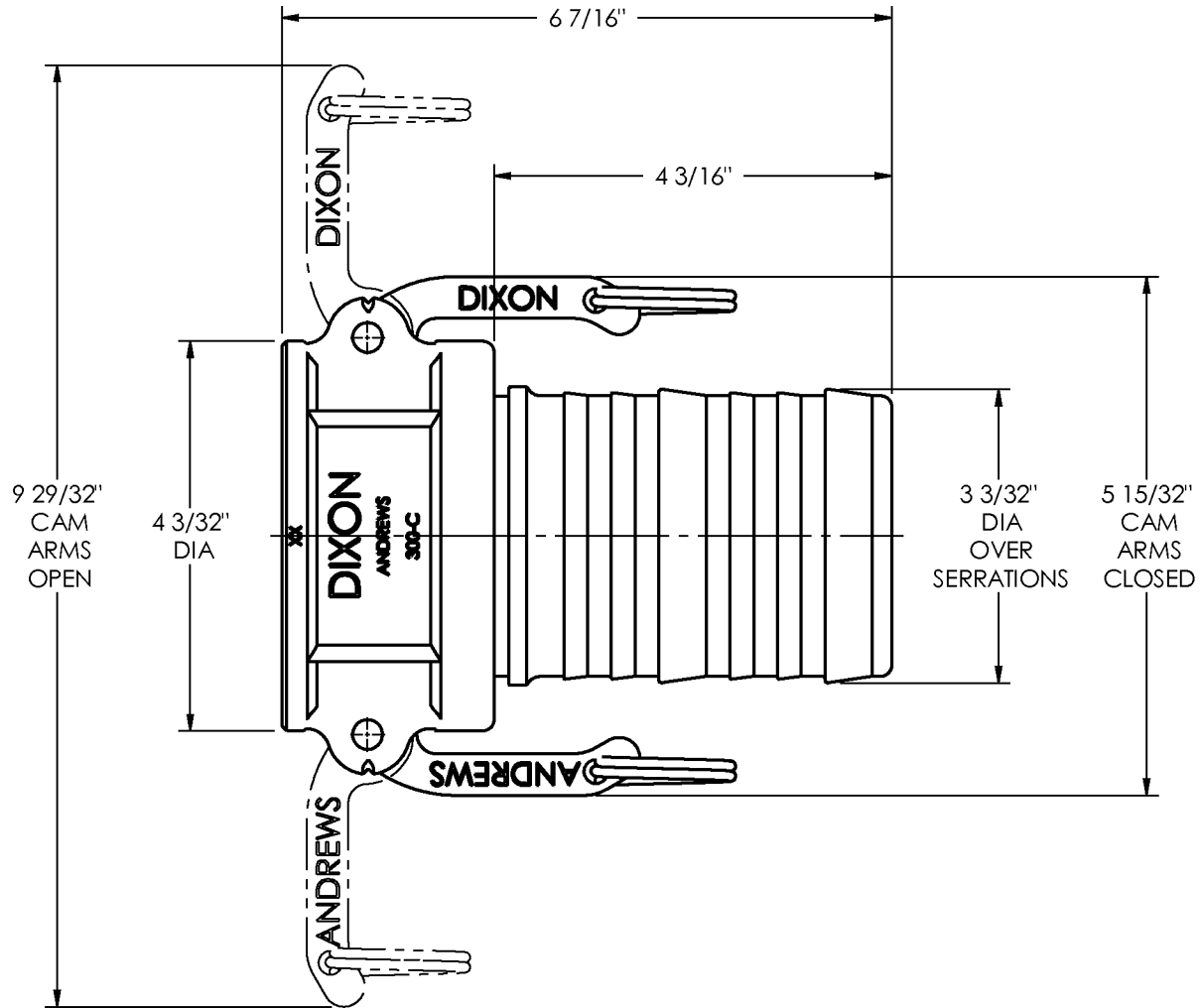


The Right Connection™

<b>DIXON VALVE &amp; COUPLING CO.</b>		
<b>U. S. A.</b>		
TITLE 3" COUPLER x HOSE SHANK		
DRAWN BY: KRISTY 08/29/01	CHECKED BY: MDS 8/30/01	APPROVAL: JJB 8/30/01
MAT'L BRASS & MALLEABLE IRON		<b>2592</b>

# 300-C-SS

CUSTOMER DWG



DWG No.: 5096

CUSTOMER DWG

DIXON VALVE & COUPLING CO.  
U. S. A.

TITLE

3" COUPLER X MACHINE HOSE SHANK

DRWN BY:

FJM  
10/27/10

CHECKED BY:

FJM  
11/22/10

APPROVAL:

12/1/10

*JJB*

MAT'L:

STAINLESS STEEL

**300-C-SS**

## AGREEMENT TO MAINTAIN CONFIDENTIALITY

This drawing is owned by Dixon Valve & Coupling Co. and shall be returned upon demand. It is loaned on condition that it shall not be copied or reproduced or submitted to others without the owners consent. In accepting it subject to this condition the recipient further agrees that this drawing or any design detail or concept disclosed herein shall not be used in any way detrimental to or in competition with the owner. If the recipient does not agree to the terms of this agreement they shall return this drawing immediately. The information contained in this drawing is subject to change without notice.

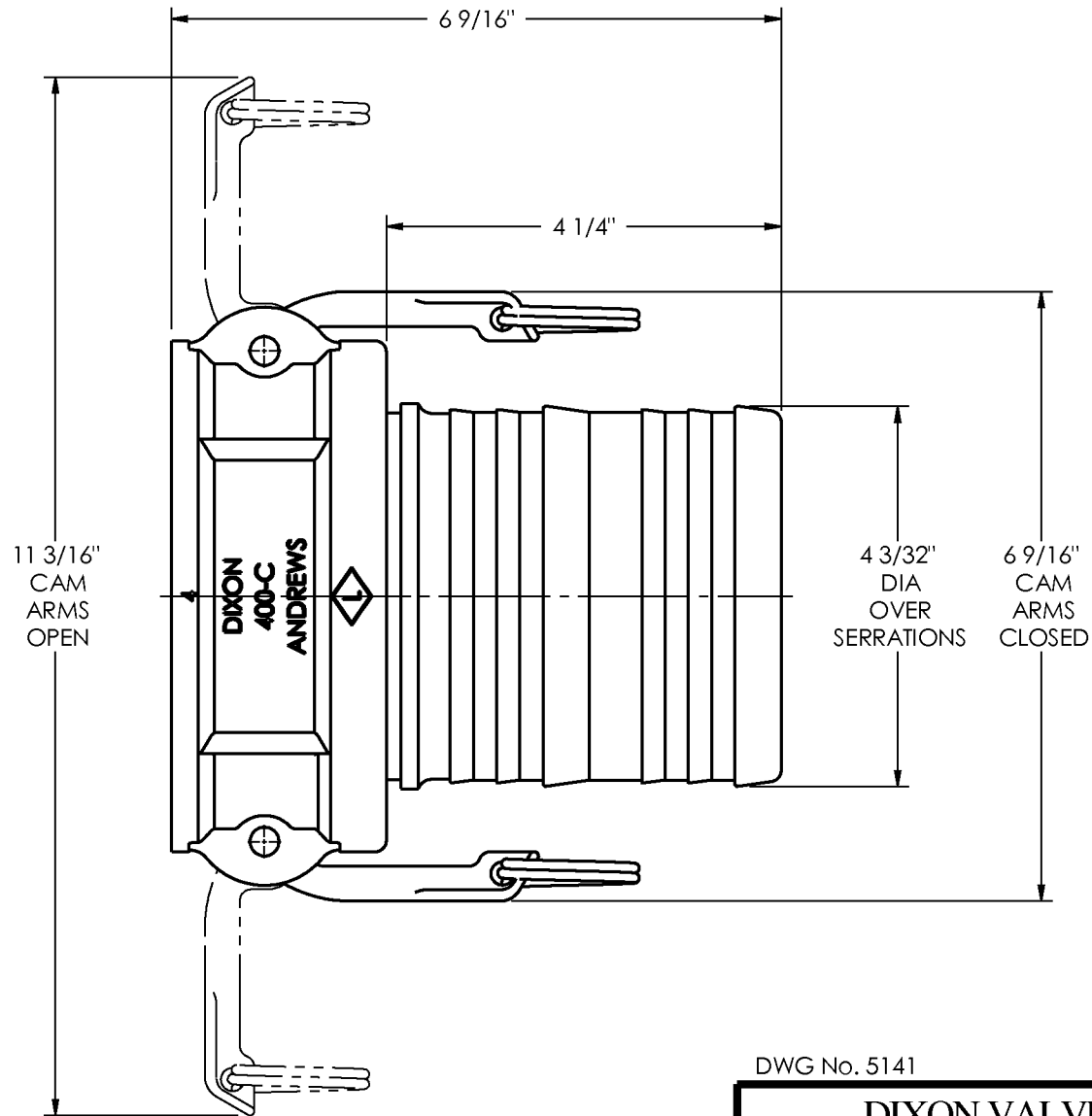
REV: B



The Right Connection™

# 400-C-AL

CUSTOMER DWG



DWG No. 5141

CUSTOMER DWG

**DIXON VALVE & COUPLING CO.**  
**U. S. A.**

TITLE

4" COUPLER X MACHINE HOSE SHANK

DRWN BY:

FJM  
12/16/10

CHECKED BY:

FJM  
12/16/10

APPROVAL:

JJB  
12/20/10

MAT'L:

ALUMINUM

**400-C-AL**

### AGREEMENT TO MAINTAIN CONFIDENTIALITY

This drawing is owned by Dixon Valve & Coupling Co. and shall be returned upon demand. It is loaned on condition that it shall not be copied or reproduced or submitted to others without the owners consent. In accepting it subject to this condition the recipient further agrees that this drawing or any design detail or concept disclosed herein shall not be used in any way detrimental to or in competition with the owner. If the recipient does not agree to the terms of this agreement they shall return this drawing immediately. The information contained in this drawing is subject to change without notice.

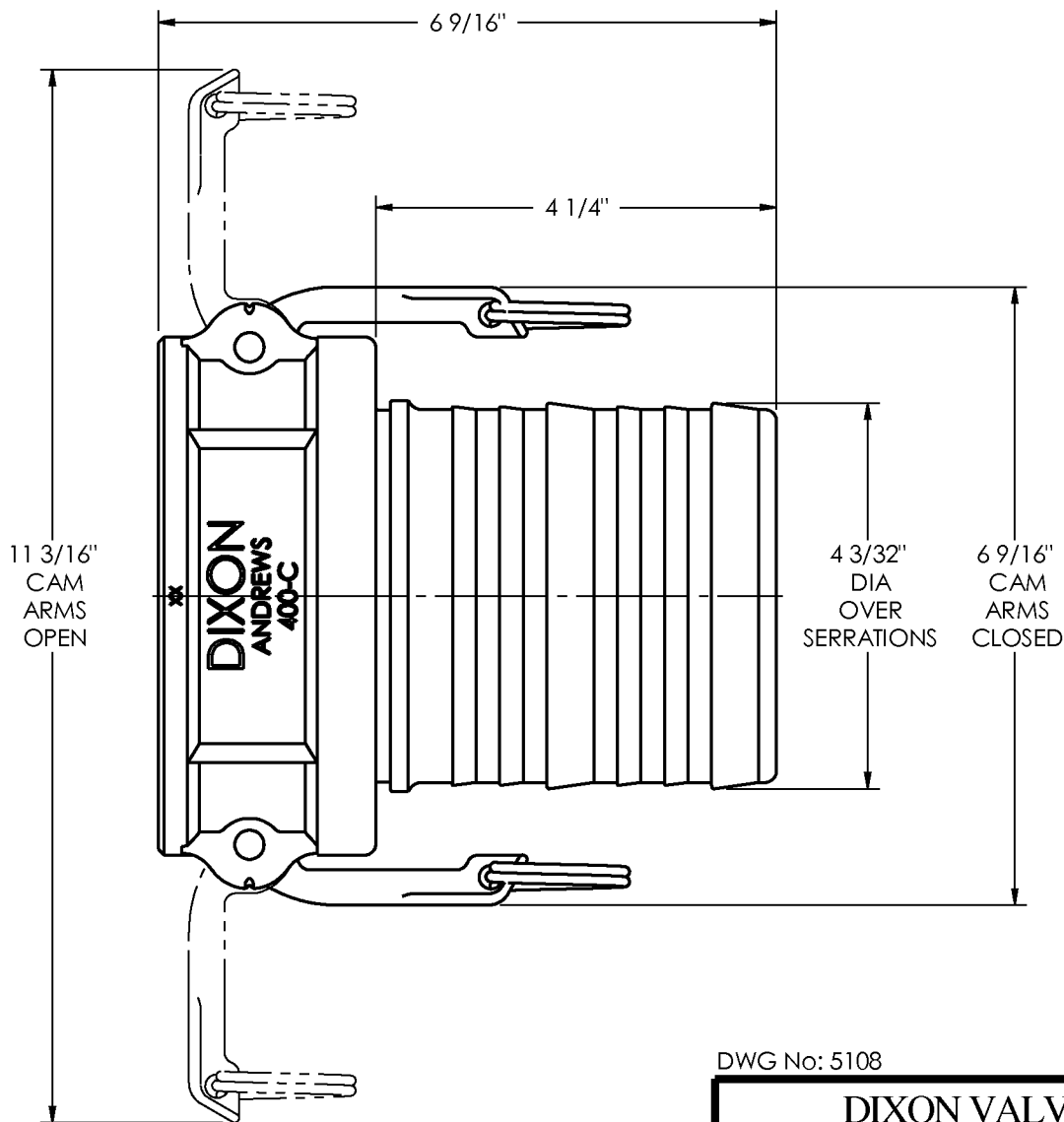
REV: A



The Right Connection™

# 400-C-BR

CUSTOMER DWG



DWG No: 5108

CUSTOMER DWG

**DIXON VALVE & COUPLING CO.**  
U. S. A.

TITLE

4" COUPLER X MACHINE HOSE SHANK

DRWN BY:

FJM  
12/16/10

CHECKED BY:

FJM  
12/16/10

APPROVAL:

JAB  
12/20/10

MAT'L:

BRASS

**400-C-BR**

REV: B

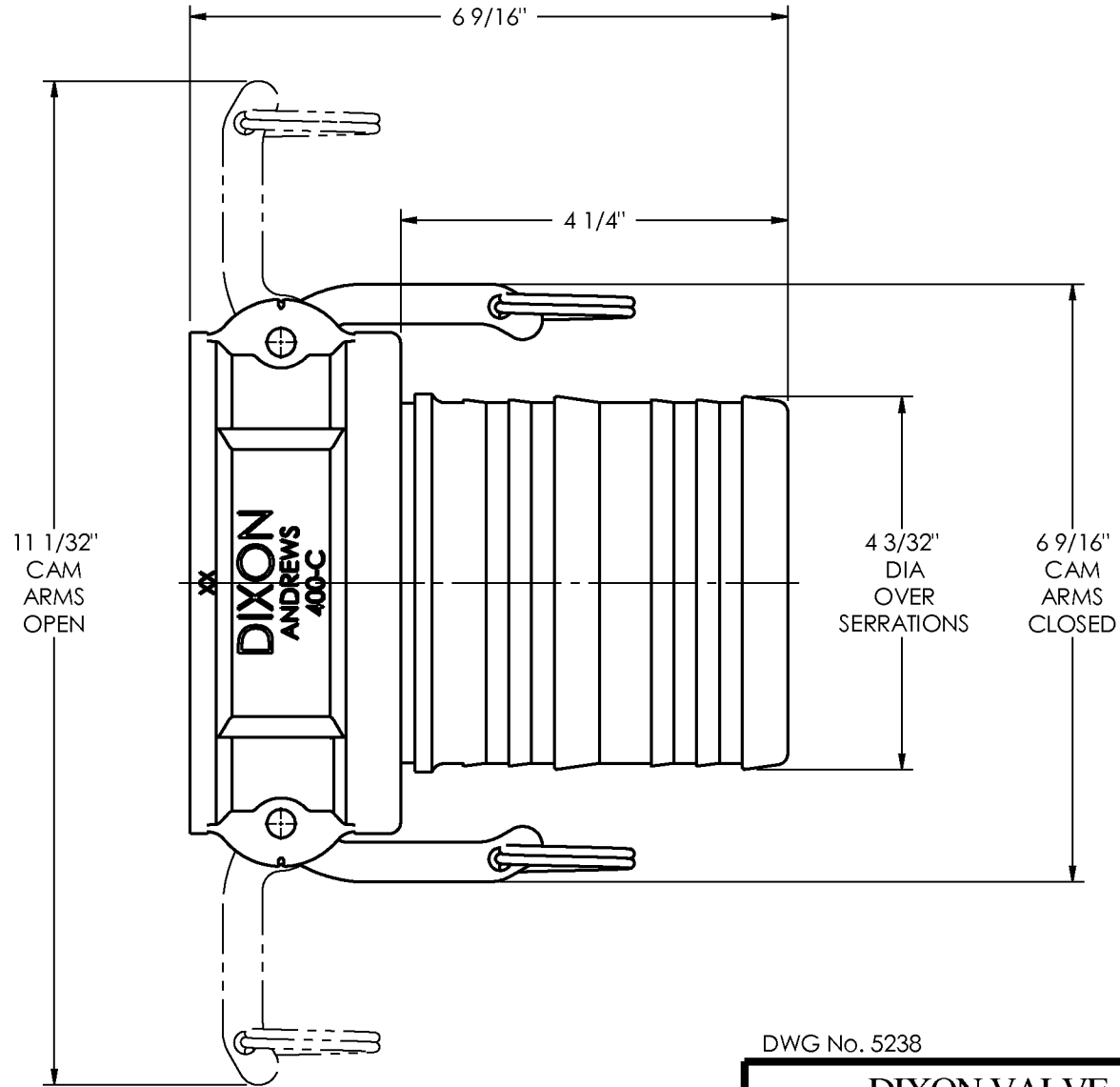
### AGREEMENT TO MAINTAIN CONFIDENTIALITY

This drawing is owned by Dixon Valve & Coupling Co. and shall be returned upon demand. It is loaned on condition that it shall not be copied or reproduced or submitted to others without the owners consent. In accepting it subject to this condition the recipient further agrees that this drawing or any design detail or concept disclosed herein shall not be used in any way detrimental to or in competition with the owner. If the recipient does not agree to the terms of this agreement they shall return this drawing immediately. The information contained in this drawing is subject to change without notice.



# 400-C-MI

CUSTOMER DWG



DWG No. 5238

CUSTOMER DWG

## DIXON VALVE & COUPLING CO. U. S. A.

TITLE  
CRIMP STYLE DOMESTIC CAM AND GROOVE  
4" DIXON TYPE C COUPLER

DRWN BY:  
FJM  
9/30/11

CHECKED BY: *FJM*  
9/30/11

APPROVAL:  
*SE*  
9-30-11

MAT'L:  
IRON

# 400-C-MI

### AGREEMENT TO MAINTAIN CONFIDENTIALITY

This drawing is owned by Dixon Valve & Coupling Co. and shall be returned upon demand. It is loaned on condition that it shall not be copied or reproduced or submitted to others without the owners consent. In accepting it subject to this condition the recipient further agrees that this drawing or any design detail or concept disclosed herein shall not be used in any way detrimental to or in competition with the owner. If the recipient does not agree to the terms of this agreement they shall return this drawing immediately. The information contained in this drawing is subject to change without notice.

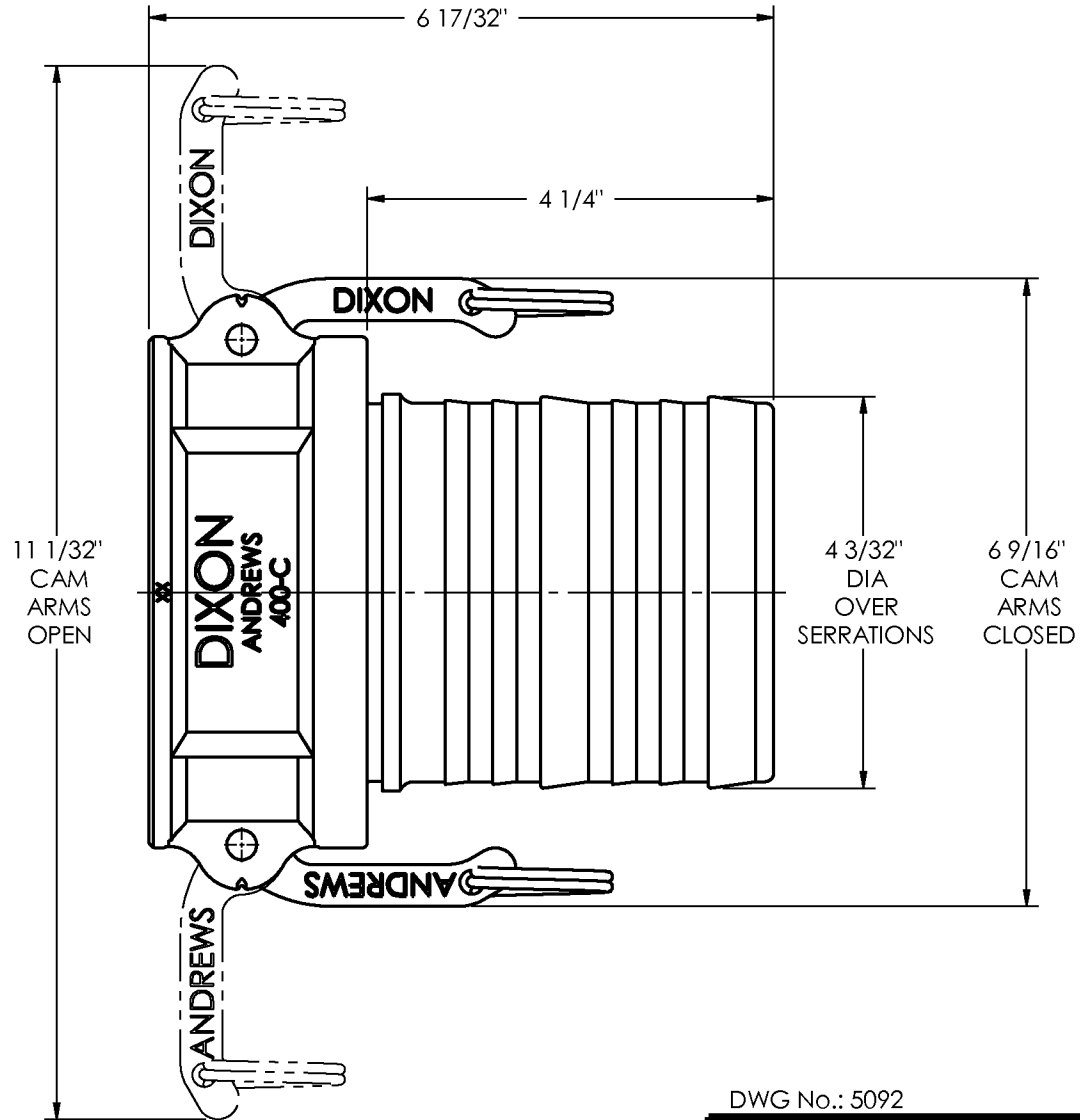
REV: B





# 400-C-SS

CUSTOMER DWG



DWG No.: 5092

CUSTOMER DWG

**DIXON VALVE & COUPLING CO.**  
U. S. A.

TITLE

4" COUPLER x MACHINE HOSE SHANK

DRWN BY:

FJM  
12/16/10

CHECKED BY:

FJM  
12/16/10

APPROVAL:

*JAB*  
12/20/10

MAT'L:

STAINLESS STEEL

**400-C-SS**

### AGREEMENT TO MAINTAIN CONFIDENTIALITY

This drawing is owned by Dixon Valve & Coupling Co. and shall be returned upon demand. It is loaned on condition that it shall not be copied or reproduced or submitted to others without the owners consent. In accepting it subject to this condition the recipient further agrees that this drawing or any design detail or concept disclosed herein shall not be used in any way detrimental to or in competition with the owner. If the recipient does not agree to the terms of this agreement they shall return this drawing immediately. The information contained in this drawing is subject to change without notice.

REV: B

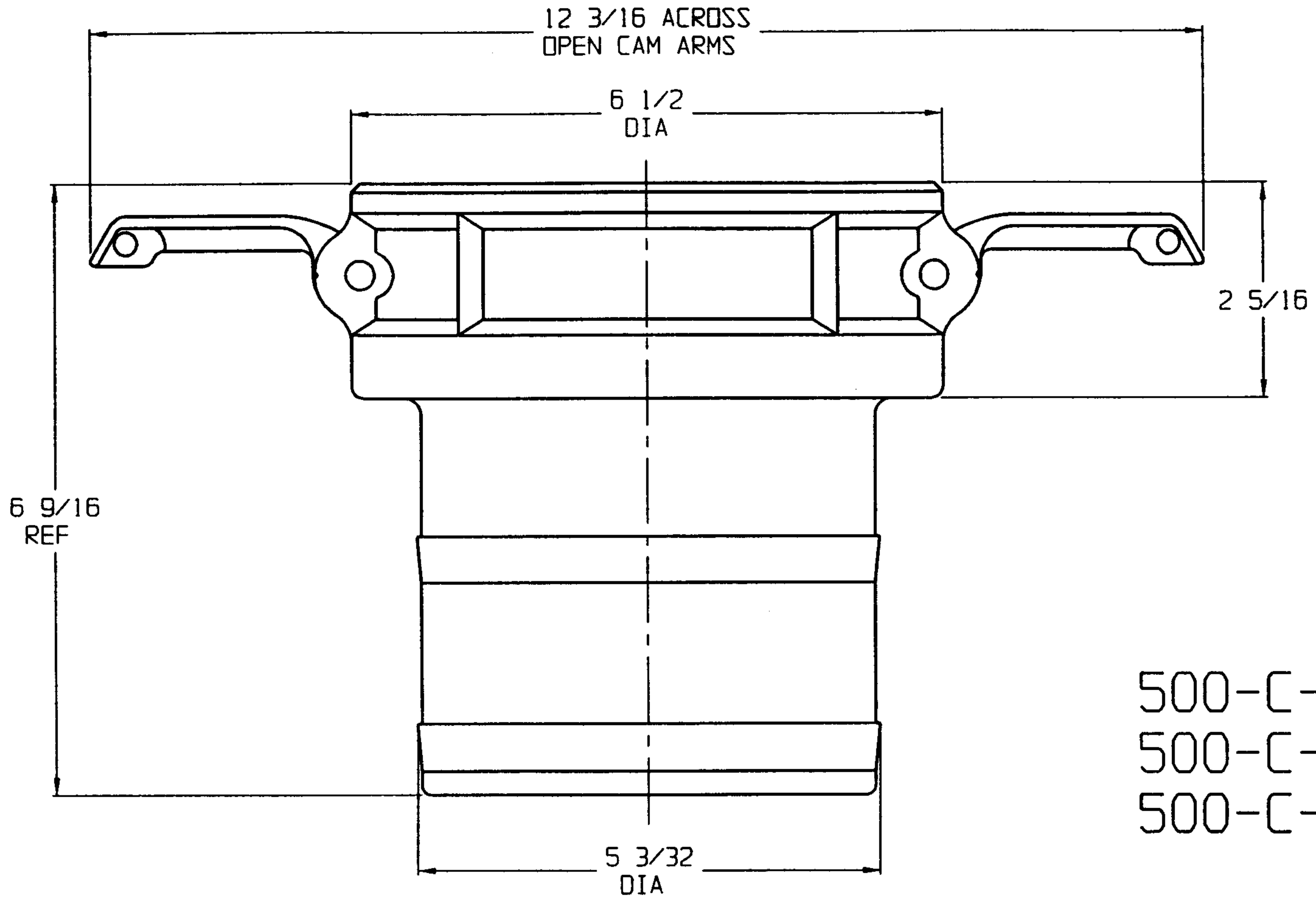


The Right Connection™

3565

6/10/09

CUSTOMER DWG



500-C-AL  
 500-C-BR  
 500-C-MI

CUSTOMER DWG

AGREEMENT TO MAINTAIN CONFIDENTIALITY

This drawing is owned by Dixon Valve & Coupling Co. and shall be returned upon demand. It is loaned on condition that it shall not be copied or reproduced or submitted to others without the owners consent. In accepting it subject to this condition the recipient further agrees that this drawing or any design detail or concept disclosed herein shall not be used in any way detrimental to or in competition with the Owner. If the recipient does not agree to the terms of this agreement, they shall return this drawing immediately.



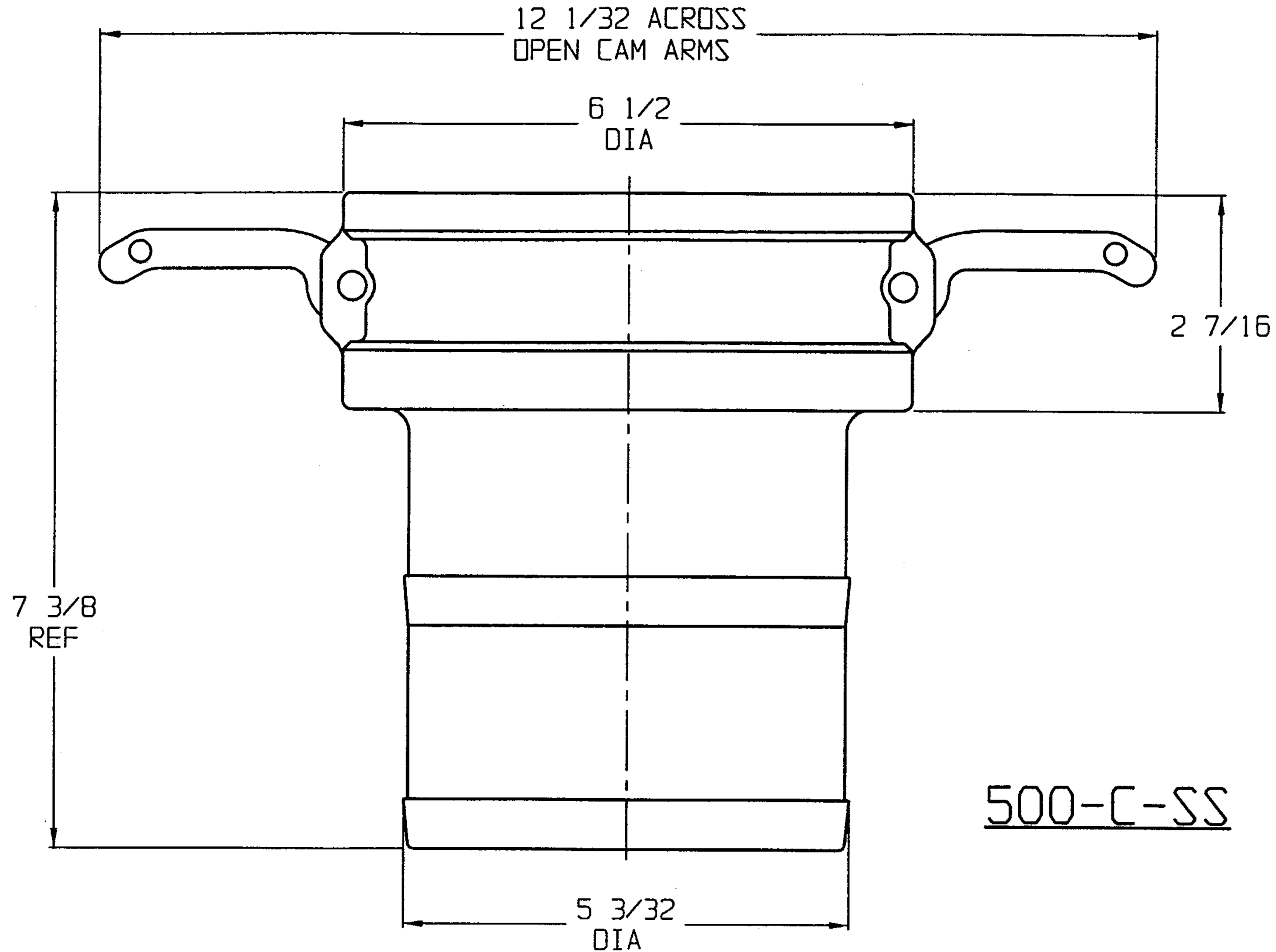
DIXON VALVE & COUPLING CO.  
 U. S. A.

TITLE		
5" COUPLER x HOSE SHANK		
DRAWN BY:	CHECKED BY:	APPROVAL:
KRISTY 07/19/01	MDS 7-23-01	JJB 7/23/01
MAT'L ALUMINUM, BRASS, & MALLEABLE IRON		3565

812165

6/10/09

CUSTOMER DWG



CUSTOMER DWG

AGREEMENT TO MAINTAIN CONFIDENTIALITY

This drawing is owned by Dixon Valve & Coupling Co. and shall be returned upon demand. It is loaned on condition that it shall not be copied or reproduced or submitted to others without the owners consent. In accepting it subject to this condition the recipient further agrees that this drawing or any design detail or concept disclosed herein shall not be used in any way detrimental to or in competition with the Owner. If the recipient does not agree to the terms of this agreement, they shall return this drawing immediately.



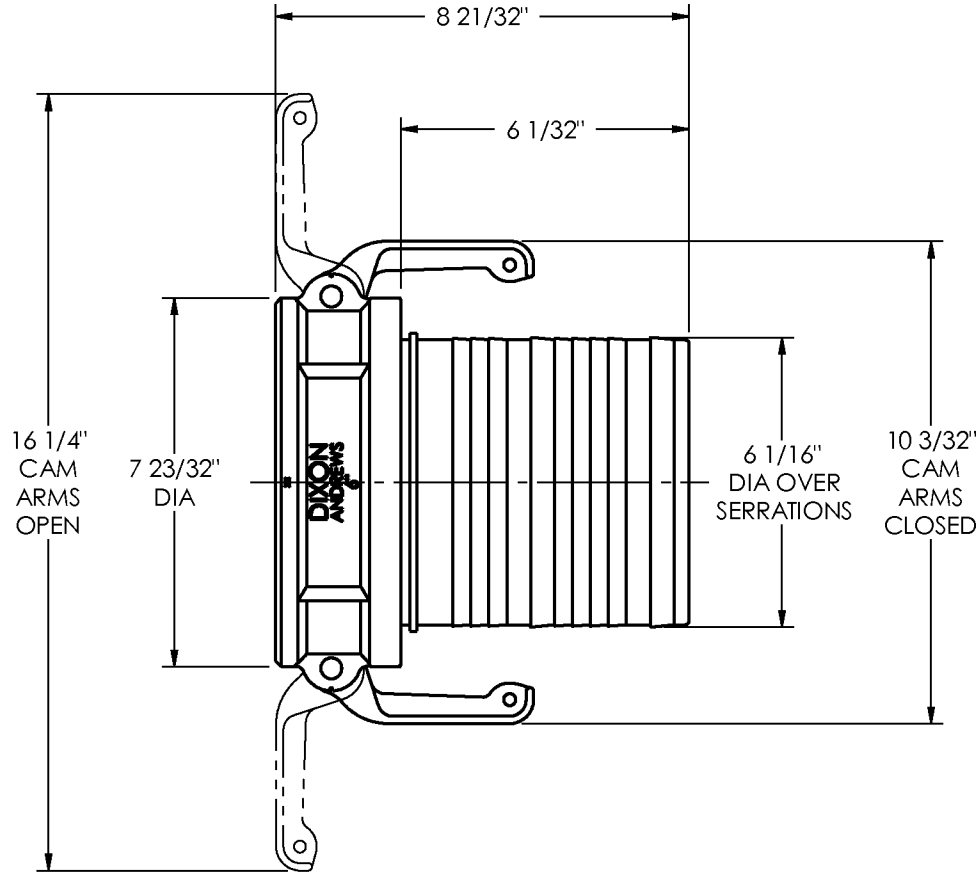
The Right Connection™

DIXON VALVE & COUPLING CO.  
U. S. A.

TITLE		
5" COUPLER x HOSE SHANK		
DRAWN BY:	CHECKED BY:	APPROVAL:
KRISTY 08/17/01	MDS 8/22/01	JJB 8/22/01
MAT'L		
STAINLESS STEEL		812165

# 600-C-AL

CUSTOMER DWG



DWG No.: 5126

CUSTOMER DWG



### AGREEMENT TO MAINTAIN CONFIDENTIALITY

This drawing is owned by Dixon Valve & Coupling Co. and shall be returned upon demand. It is loaned on condition that it shall not be copied or reproduced or submitted to others without the owners consent. In accepting it subject to this condition the recipient further agrees that this drawing or any design detail or concept disclosed herein shall not be used in any way detrimental to or in competition with the owner. If the recipient does not agree to the terms of this agreement they shall return this drawing immediately. The information contained in this drawing is subject to change without notice.

REV: C

## DIXON VALVE & COUPLING CO. U. S. A.

TITLE  
CRIMP STYLE DOMESTIC CAM AND GROOVE  
6" DIXON TYPE C COUPLER

DRWN BY:

JAT  
3/8/12

CHECKED BY:

GAT  
03/12/12

APPROVAL:

SE  
3-13-12

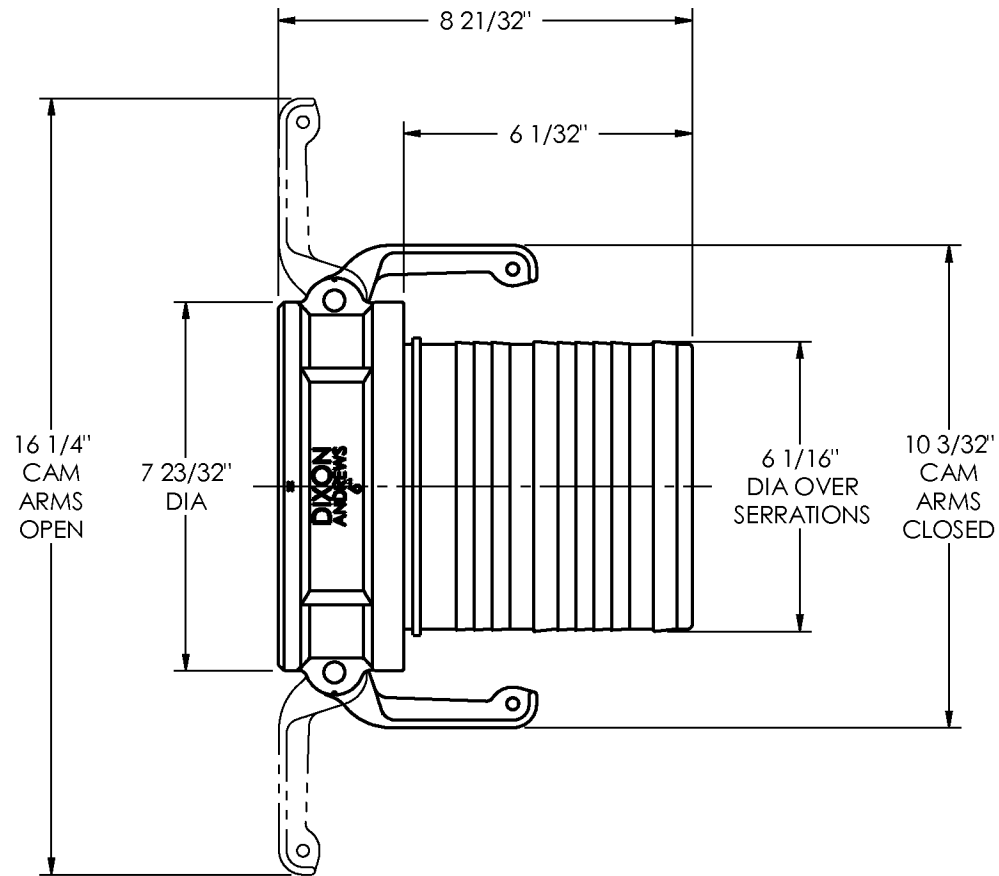
MAT'L:

ALUMINUM

# 600-C-AL

# 600-C-BR

CUSTOMER DWG



DWG NO.: 5163

CUSTOMER DWG



### AGREEMENT TO MAINTAIN CONFIDENTIALITY

This drawing is owned by Dixon Valve & Coupling Co. and shall be returned upon demand. It is loaned on condition that it shall not be copied or reproduced or submitted to others without the owners consent. In accepting it subject to this condition the recipient further agrees that this drawing or any design detail or concept disclosed herein shall not be used in any way detrimental to or in competition with the owner. If the recipient does not agree to the terms of this agreement they shall return this drawing immediately. The information contained in this drawing is subject to change without notice.

REV: B

## DIXON VALVE & COUPLING CO. U. S. A.

TITLE  
CRIMP STYLE DOMESTIC CAM AND GROOVE  
6" TYPE C COUPLER

DRWN BY:  
JAT  
3/9/12

CHECKED BY:  
GMJ  
03/12/12

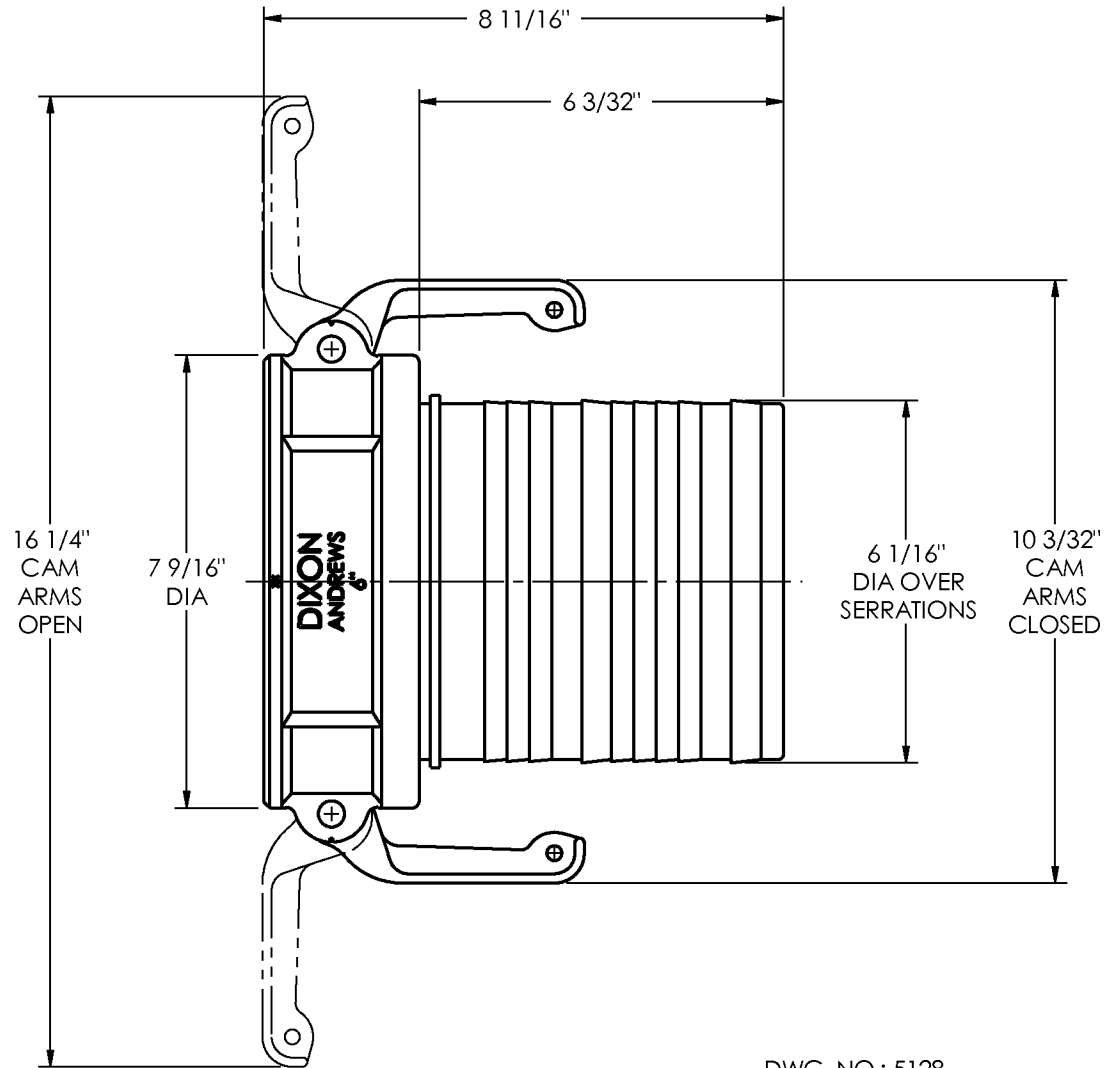
APPROVAL:  
SE  
3-13-12

MAT'L:  
BRASS

# 600-C-BR

# 600-C-SS

CUSTOMER DWG



### AGREEMENT TO MAINTAIN CONFIDENTIALITY

This drawing is owned by Dixon Valve & Coupling Co. and shall be returned upon demand. It is loaned on condition that it shall not be copied or reproduced or submitted to others without the owners consent. In accepting it subject to this condition the recipient further agrees that this drawing or any design detail or concept disclosed herein shall not be used in any way detrimental to or in competition with the owner. If the recipient does not agree to the terms of this agreement they shall return this drawing immediately. The information contained in this drawing is subject to change without notice.

REV: B

DWG. NO.: 5128

CUSTOMER DWG

**DIXON VALVE & COUPLING CO.**  
**U. S. A.**

TITLE

CRIMP STYLE DOMESTIC CAM AND GROOVE  
6" DIXON TYPE C COUPLER

DRWN BY:

JAT  
3/9/12

CHECKED BY:

GMJ  
03/12/12

APPROVAL:

SE  
3-13-12

MAT'L:

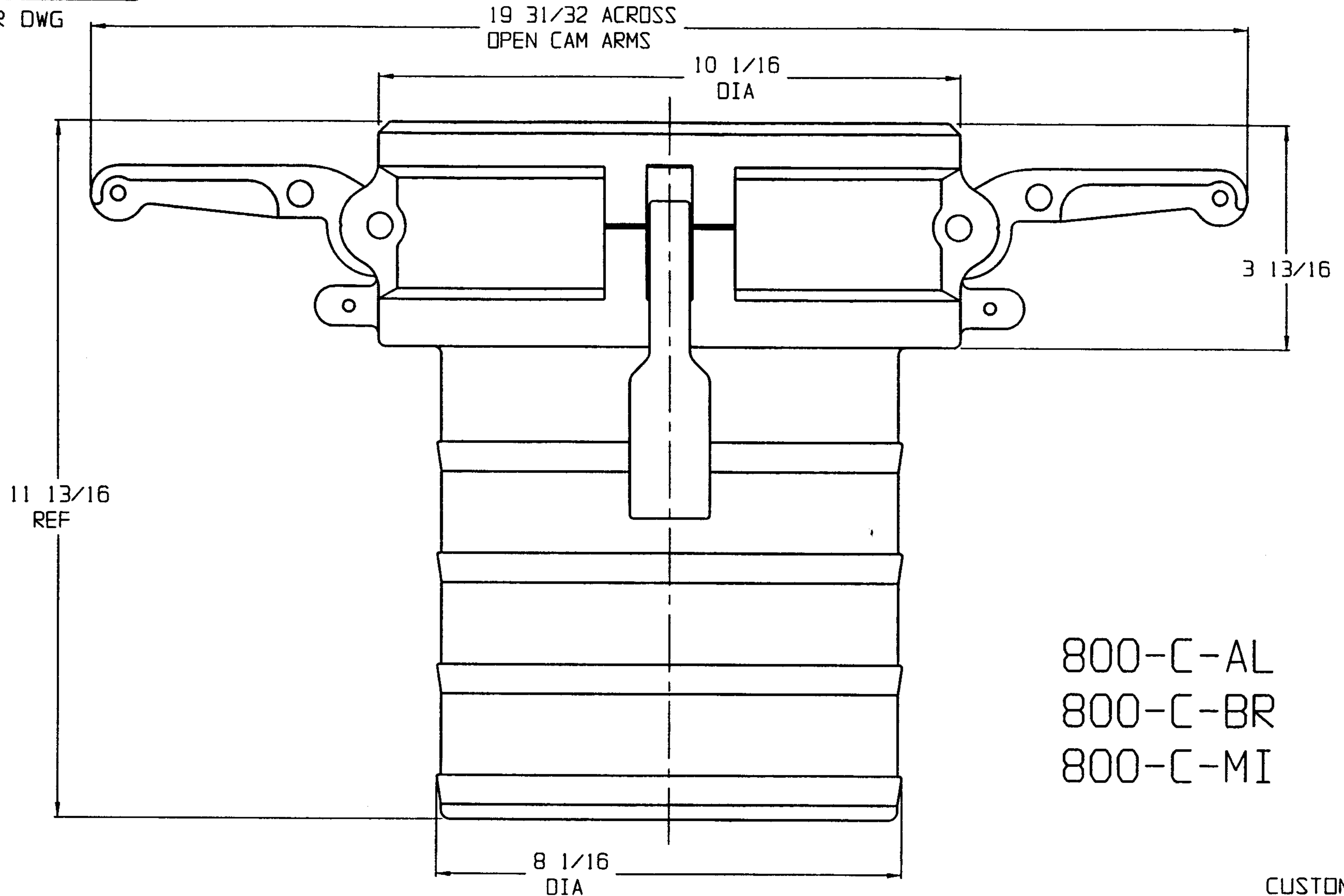
STAINLESS STEEL

# 600-C-SS

3789

6/10/09

CUSTOMER DWG



800-C-AL  
800-C-BR  
800-C-MI

CUSTOMER DWG

AGREEMENT TO MAINTAIN CONFIDENTIALITY

This drawing is owned by Dixon Valve & Coupling Co. and shall be returned upon demand. It is loaned on condition that it shall not be copied or reproduced or submitted to others without the owners consent. In accepting it subject to this condition the recipient further agrees that this drawing or any design detail or concept disclosed herein shall not be used in any way detrimental to or in competition with the Owner. If the recipient does not agree to the terms of this agreement, they shall return this drawing immediately.



<b>DIXON VALVE &amp; COUPLING CO.</b>		
U. S. A.		
TITLE		
8" COUPLER x HOSE SHANK		
DRAWN BY:	CHECKED BY:	APPROVAL:
KRISTY 08/27/01	gbyler MDS	JOB 8/28/01
MAT'L ALUMINUM, BRASS, & MALLEABLE IRON		<b>3789</b>